

# Optimate 2

## (12V0.8A)

**MODEL: TM420 / TM421 / TM422 / TM428**  
~ **AC: 100 – 240VAC ~ 50-60Hz**  
**0.23A @ 100Vac / 0.15A @ 240Vac**  
--- **DC: 0.8A --- 12V**



**1 x 12V**  
**EFB / STD / AGM / GEL**  
**3 - 38Ah**

### INSTRUCTIONS FOR USE

**IMPORTANT:** Read completely before charging

### MODE D'EMPLOI

**IMPORTANT:** à lire avant d'utiliser l'appareil

### MODO DE EMPLEO

**IMPORTANTE:** a leer antes de utilizar el aparato

### INSTRUÇÕES DE UTILIZAÇÃO

**IMPORTANTE:** Ler antes de utilizar.

### ANWENDUNGSVORSCHRIFTEN

**WICHTIG:** Vollständig vor der Benutzung lesen

### GEbruIKSAANWIJZING

**BELANGRIJK:** Lees volledig voor gebruik

### ISTRUZIONI PER L'USO

**IMPORTANTE:** da leggere prima di utilizzare l'apparecchio

### INSTRUKTIONER

**VIKTIGT:** läs följande fullständiga instruktioner för användningen innan du använder laddaren

### ИНСТРУКЦИЯ ПО ЭКСПЛУАТАЦИИ

**ВАЖНО:** Прочти полностью перед использованием

**Automatic charger for 12V lead/acid batteries • Chargeur automatique pour batteries 12V plomb-acide • Cargador automático para baterías 12V plomo-ácido • Carregador automático para baterias de 12V chumbo/ácido • Automatische Ladegerät für 12V Blei-Säure Batterien • Automatische lader voor 12V loodzuur accu's • Caricabatterie automatico per batterie 12V piombo-acido • Automatisk diagnostisk laddare för 12V blybatterier • Автоматическое зарядное устройство для 12В свинцово-кислотных аккумуляторных батарей**

EN

FR

ES

PT

DE

NL

IT

SV

RU

EN

**SAVE THESE INSTRUCTIONS. THIS PORTION OF THE MANUAL CONTAINS IMPORTANT SAFETY INSTRUCTIONS FOR THE OPTIMATE 2 BATTERY CHARGER. IT IS OF THE UTMOST IMPORTANCE THAT EACH TIME, BEFORE USING THE CHARGER, YOU READ AND EXACTLY FOLLOW THESE INSTRUCTIONS.**

### **AUTOMATIC CHARGER FOR 12V LEAD-ACID BATTERIES**

#### **DO NOT USE FOR NiCd, NiMH, Li-Ion OR NON-RECHARGEABLE BATTERIES.**

1. CAUTION : DO NOT CONNECT TO GROUND.
2. For indoor use only. Do not expose charger to rain or snow.
3. Use of an attachment not recommended or sold by the battery charger manufacturer may result in a risk of fire, electric shock, or injury to persons.
4. To reduce risk of damage to electric plug and cord, pull by plug rather than cord when disconnecting charger.
5. An extension cord should not be used unless absolutely necessary. Use of improper extension cord could result in a risk of fire and electric shock. If extension cord must be used make sure that :
  - a) pins on plug of extension cord are the same number, size and shape as those of plug on charger.
  - b) the extension cord is properly wired and in good electrical condition, and
  - c) the conductor wire size is large enough for the AC ampere rating of the charger as specified in the table below.

AC INPUT RATING IN AMPERES		LENGTH OF CORD, FEET (m)	AWG SIZE OF CORD
Equal to or greater than	But less than		
2A	3A	25 (17.6)	18
		50 (15.2)	18
		100 (30.5)	14

6. Do not operate charger with damaged cord or plug - replace the cord or plug immediately.
7. Do not operate charger if it has received a sharp blow, been dropped, or otherwise damaged in any way; take it to a qualified serviceman.
8. Do not disassemble charger; take it to a qualified serviceman when service or repair is required. Incorrect reassembly may result in a risk of electric shock or fire.
9. To reduce risk of electric shock, unplug the charger from outlet before attempting any maintenance or cleaning. Turning off controls will not reduce this risk. Clean only with slightly moist, not wet, cloth. Do not use solvents.
10. WARNING - RISK OF EXPLOSIVE GASES.
  - a) WORKING IN VICINITY OF A LEAD-ACID BATTERY IS DANGEROUS. BATTERIES GENERATE EXPLOSIVE GASES DURING NORMAL BATTERY OPERATION. FOR THIS REASON, IT IS OF UTMOST IMPORTANCE THAT YOU FOLLOW THE INSTRUCTIONS EACH TIME YOU USE THE CHARGER.
  - b) To reduce risk of battery explosion, follow these instructions and those published by the battery manufacturer and manufacturer of any equipment you intend to use in vicinity of the battery. Review cautionary marking on these products and on engine.

#### **11. PERSONAL PRECAUTIONS.**

- a) Someone should be within range of your voice OR close enough to come to your aid when you work near a lead-acid battery.
- b) Have plenty of fresh water and soap nearby in case battery acid contacts skin, clothing or eyes.
- c) Wear complete eye protection and clothing protection. Avoid touching eyes while working near battery.
- d) If battery acid contacts or enters eye, flood eye with cold running water for at least 10 minutes and get medical attention immediately. If battery acid contacts skin or clothing, wash immediately with soap & water. If acid enters an eye, immediately flood eye with running cold water for at least 10 minutes & get medical attention immediately.
- e) NEVER smoke or allow a spark or flame in vicinity of battery or engine.
- f) Be extra cautious to reduce risk of dropping a metal tool onto battery. It might spark or short-circuit battery or other electrical part that may cause explosion.
- g) Remove personal metal items such as rings, bracelets, necklaces, and watches when working with a lead-acid battery. A lead-acid battery can produce a short-circuit current high enough to weld a ring or the like to metal, causing a severe burn.
- i) NEVER charge a frozen battery.

## 12. PREPARING TO CHARGE

- a) If necessary to remove battery from vehicle to charge, always remove grounded terminal from battery first. Make sure all accessories in the vehicle are off, so as not to cause an arc.
- b) Be sure area around battery is well ventilated while battery is being charged. Gas can be forcefully blown away by using a piece of cardboard or other non-metallic material as a fan.**
- c) Clean battery terminals. Be careful to keep corrosion from coming in contact with eyes.
- d) Add distilled water in each cell until battery acid reaches level specified by battery manufacturer. This helps purge excessive gas from cells. Do not overfill. For a battery without cell caps, such as valve regulated lead acid (VRLA) or absorbed glass mat (AGM) batteries, carefully follow manufacturer's recharging instructions.
- e) Study all battery manufacturer's specific precautions such as removing or not removing cell caps while charging and recommended rates of charge.
- f) Determine voltage of battery by referring to vehicle or other user's manual and BEFORE MAKING THE BATTERY CONNECTIONS, MAKE SURE THAT THE VOLTAGE OF THE BATTERY YOU ARE GOING TO CHARGE MATCHES THE OUTPUT VOLTAGE OF THE CHARGER.

### 13. CHARGER LOCATION.

- a) Locate charger as far away from battery as DC cables permit.
- b) Never place charger directly above battery being charged; gases from battery will corrode and damage the charger. c) Never allow battery acid to drip on charger when reading gravity or filling battery. Do not operate charger in a closed-in area or restrict ventilation in any way.
- d) Do not set a battery on top of charger. **IMPORTANT** : Place charger on a hard flat surface or mount onto a vertical surface. Do not place on plastic, leather or textile surface.

## 14. DC CONNECTION PRECAUTIONS

- a) Connect and disconnect DC output clips only after setting any charger switches to off position and removing AC cord from electric outlet. Never allow clips to touch each other, however should this happen no damage will result to the charger circuit & the automatic charging programme will just reset to «start».

- b) Attach clips to battery and chassis as indicated in 15(e), 15(f), and 16(b) through 16(d).

**NOTE : This battery charger has an automatic safety feature that will prevent it from operating if the battery has been inversely connected.** Set charger switches to off position and/or remove AC cord from electrical outlet, disconnect the battery clips, then reconnect correctly according to the instructions below.

## 15. FOLLOW THESE STEPS WHEN BATTERY IS INSTALLED IN VEHICLE. A SPARK NEAR A BATTERY MAY CAUSE BATTERY EXPLOSION. TO REDUCE RISK OF A SPARK NEAR BATTERY :

- a) Position AC and DC cords so as to reduce risk of damage by hood, door or moving engine part.
- b) Stay clear of fan-blades, belts, pulleys, and other parts that can cause injury to persons.
- c) Check polarity of battery posts. POSITIVE (POS, P, +) battery post usually has larger diameter than NEGATIVE (NEG, N, -) post.
- d) Determine which post of battery is grounded (connected) to the chassis. If negative post is grounded to chassis (as in most vehicles), see (e). If positive post is grounded to the chassis, see (f).
- e) For negative-grounded vehicle, connect POSITIVE (RED) clip from battery charger to POSITIVE (POS, P, +) ungrounded post of battery. Connect NEGATIVE (BLACK) clip to vehicle chassis or engine block away from battery. Do not connect clip to carburetor, fuel lines, or sheet-metal body parts. Connect to a heavy gage metal part of the frame or engine block.
- f) For positive-grounded vehicle, connect NEGATIVE (BLACK) clip from battery charger to NEGATIVE (NEG, N, -) ungrounded post of battery. Connect POSITIVE (RED) clip to vehicle chassis or engine block away from battery. Do not connect clip to carburetor, fuel lines, or sheet-metal body parts. Connect to a heavy gage metal part of the frame or engine block.
- g) When disconnecting charger, turn switches to off, disconnect AC cord, remove clip from vehicle chassis, and then remove clip from battery terminal.
- h) See operating instructions for length of charge information.

## 16. FOLLOW THESE STEPS WHEN BATTERY IS OUTSIDE VEHICLE. A SPARK NEAR THE BATTERY MAY CAUSE BATTERY EXPLOSION. TO REDUCE RISK OF A SPARK NEAR BATTERY :

- a) Check polarity of battery posts. POSITIVE (POS, P, +) battery post usually has a larger diameter than NEGATIVE (NEG, N, -) post.
- b) This battery charger has an automatic safety feature that will prevent it from operating if the battery has been inversely connected. The charger does allow charge current unless a voltage of at least 2V is sensed.**
- c) Connect POSITIVE (RED) charger clip to POSITIVE (POS, P, +) post of battery.
- d) Connect NEGATIVE (BLACK) charger clip to NEGATIVE (NEG, N, -) battery post of the battery.
- e) Do not face battery when making final connection.
- f) When disconnecting charger, always do so in reverse sequence of connecting procedure & break first connection while as far away from battery as practical.
- g) A marine (boat) battery must be removed & charged on shore. To charge it on board requires equipment specially designed for marine use.

# Optimate 2

## (12V0.8A)

EN

### AUTOMATIC MAINTENANCE CHARGER FOR 12V LEAD-ACID BATTERIES FROM 3Ah TO 38Ah.

**DO NOT USE FOR NiCd, NiMH, Li-Ion OR NON-RECHARGEABLE BATTERIES.**

**IMPORTANT: READ THE FOLLOWING INSTRUCTIONS BEFORE USING THE CHARGER**

**This appliance can be used by children aged from 8 years and above and persons with reduced physical, sensory or mental capabilities or lack of experience and knowledge if they have been given supervision or instruction concerning use of the appliance in a safe way and understand the hazards involved. Children shall not play with the appliance. Cleaning and user maintenance shall not be made by children without supervision.**

**SAFETY WARNING AND NOTES:** Batteries emit **EXPLOSIVE GASES** - prevent flame or sparks near batteries. Disconnect AC power supply before making or breaking DC/battery connections. Battery acid is highly corrosive. Wear protective clothing and eyewear and avoid contact. In case of accidental contact, wash immediately with soap and water. Check that the battery posts are not loose; if so, have the battery professionally assessed. If the battery posts are corroded, clean with a copper wire brush; if greasy or dirty clean with a rag damped in detergent. Use the charger only if the input and output leads and connectors are in good, undamaged condition. **If the input cable is damaged, it is essential to have it replaced without delay by the manufacturer, his authorised service agent or a qualified workshop, to avoid danger.** Protect your charger from acid and acid fumes and from damp and humid conditions both during use and in storage. Damage resulting from corrosion, oxidation or internal electrical short-circuiting is not covered by warranty. Distance the charger from the battery during charging to avoid contamination by or exposure to acid or acidic vapours. If using it in the horizontal orientation, place the charger on a hard, flat surface, but NOT on plastic, textile or leather. Use the fixing holes provided in the enclosure base to attach the charger to any convenient, sound vertical surface.

**EXPOSURE TO LIQUIDS:** This charger is designed to withstand exposure to liquids accidentally spilled or splashed onto the casing from above, or to light rainfall. Prolonged exposure to falling rain is inadvisable and longer service life will be obtained by minimizing such exposure. Failure of the charger due to oxidation resulting from the eventual penetration of liquid into the electronic components, connectors or plugs, is not covered by warranty.

**BATTERY CONNECTIONS:** 2 interchangeable connection sets are available, supplied with the charger is a set of battery clips for charging the battery off-vehicle, the other connection set comes with metal eyelet lugs for permanent connection to the battery posts, and re-sealable weatherproof cap on the connector that connects to the charger output cable. This connection set allows easy and sure connection of the charger to maintain the battery on-vehicle. The resealable weatherproof cap is designed to protect the connector from dirt and damp whenever the charger is not attached. Consult a professional service agent for assistance in attaching the metal eyelets to the battery posts. Secure the connector with weatherproof cap so that it cannot foul any moving part of the vehicle or the cable can be pinched or damaged by sharp edges. The in-line fuse in the eyelets connection set protects the battery against such accidental shorting across positive and negative conductors. Replace any burnt fuse only with a similar new fuse of 15A rating.

#### CONNECTING THE CHARGER TO THE BATTERY

**1. Disconnect AC power supply before making or breaking DC / battery connections.**

2. If charging a battery in the vehicle with the battery clips, before making connections, first check that the battery clips can be safely and securely positioned clear from surrounding wiring, metal tubing or the chassis. Make connections in the following order:

**First connect to the battery terminal not connected to the chassis (normally positive), then connect the other battery clip (normally negative) to the chassis well away from the battery and fuel line. Always disconnect in reverse sequence.**

3. When charging a battery out of the vehicle with the battery clips, place it in a well ventilated area. Connect the charger to the battery: RED clamp to POSITIVE (POS, P or +) terminal and BLACK clamp to NEGATIVE (NEG, N or -) terminal. Make sure the connections are firm and secure. Good contact is important.

4. **If the battery is deeply discharged (and possibly sulphated), remove from the vehicle and inspect the battery before connecting the charger for a recovery attempt.** Visually check the battery for mechanical defects such as a bulging or cracked casing, or signs of electrolyte leakage. If the battery has filler caps and the plates within the cells can be seen from the outside, examine the battery carefully to try to determine if any cells seem different to the others (for example, with white matter between the plates, plates touching). If mechanical defects are apparent do not attempt to charge the battery, have the battery professionally assessed.

5. **If the battery is new,** before connecting the charger read the battery manufacturer's safety and operational instructions carefully. If applicable, carefully and exactly follow acid filling instructions.

## USING THE OPTIMATE 2: PROCEEDING TO CHARGE

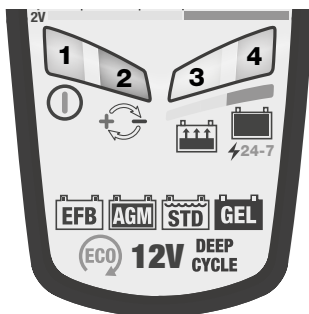
For safety reasons, the OptiMate output will only activate if a battery retaining at least 2V is connected.

**VERY FLAT NEGLECTED BATTERIES:** Pay particularly close attention to the following which is especially important for relatively small batteries such as those used on motorcycles, lawn tractors, jet-ski's, snowmobiles and similar: A battery left deep-discharged for an extended period may develop permanent damage in one or more cells. Such batteries may heat up excessively during high current charging.

Monitor the battery temperature during the first hour, then hourly there-after. Check for unusual signs, such as bubbling or leaking electrolyte, heightened activity in one cell compared to others, or hissing sounds. If at any time the battery is uncomfortably hot to touch or you notice any unusual signs, DISCONNECT THE CHARGER IMMEDIATELY.

**ECO POWER SAVING MODE WHEN THE CHARGER IS CONNECTED TO AC SUPPLY:** The power converter switches to ECO mode when the charger is not connected to a battery resulting in a very low power draw of less than 0.5W, equivalent to power consumption of 0.012 kWh per day. When a battery is connected to the charger power consumption depends on the current demand of the battery and its connected vehicle / electronic circuitry. After the battery has been charged and the charger is in long term maintenance charge mode (to keep the battery at 100% charge) the total power consumption is estimated to be 0.060 kWh or less per day.

The LED indicators referred to below, and the clauses dealing with them, are sequenced as they may come on through the course of the program.



**LED #1 Power on. Confirms AC power supply to the charger.** Light intensity is low during POWER SAVING MODE.

**LED #2 indicates inverse polarity** - wrong output connections. Swap around to activate output.

### LED #3 CHARGE

**3.1 PULSE LOW VOLT SAVE (from 2V) :** Current up to 0.8A is delivered in pulses to prepare the battery to accept normal charge. *This mode is particularly effective for recovery of factory activated / "hi-performance" pure lead or cyclic cell AGM batteries.* Charge time: Minimum 15 minutes, maximum 2 hours.

**3.2 BULK CHARGE:** The BULK CHARGE stage delivers a constant current of 0.8 Amps maximum into the battery, up to a voltage of 14.2 -14.5V.

**3.3 OPTIMIZE:** The OPTIMIZE CHARGE mode starts when the voltage has reached 14.2 -14.5V for the first time during BULK CHARGE stage. The control circuit now delivers pulses of current for 30 minutes to equalise the individual cells within the battery. The battery's charge level is verified. If the battery requires further charging the program will extend OPTIMIZE charge up to a maximum of 4 hours.

**NOTE:** For safety reasons there is an overall charge time limit of 96 hours.

**LED #4 : MAINTENANCE - Voltage retention tests alternating half-hourly with battery float maintenance.**

**4.1 Voltage retention test** - For a battery able to remain above 12.4V throughout the **30 minute** \* test (NO CHARGE CURRENT DELIVERED) LED #4 remains on. If the battery voltage falls below 12.4V the program reverts to step 3.3.

**\* First test period = 12 hours, or if charge delivery was less than 12 hours, test extends until 24 hours has elapsed. Subsequent test periods are 30 minutes.**

*If LED#3 and #4 alternates every 3-10 seconds, it means that after being charged the battery's voltage is not being sustained or that despite recovery attempts the battery was irrecoverable. It may be due to a defect in the battery itself, such as a short-circuited cell or total sulphation, or, in the case of a battery still connected to the*

vehicle's wiring system, it may be signalling a loss of current through deteriorated wiring or a degraded switch or contact, or in-circuit current-consuming accessories. Always remove the battery from the vehicle, reconnect the OptiMate™ and allow it to proceed through its programme once more. If a better test result is now obtained, this suggests that the power losses are partly due to an electrical problem in the electrical system and not in the battery itself. If the poor result persists, you are advised to take the battery to a professional service workshop equipped with professional equipment for a more thorough investigation.

**4.2 Maintenance** - float charge at a safe voltage limit of 13.6V and up to 0.8A is available to counter self-discharge.

The battery can draw current as required to support small loads and counter self-discharge. If the battery voltage falls below 12.4V the program reverts to step 3.3.

**Maintaining a battery for extended periods:** The OptiMate will maintain a battery whose basic condition is good, for months at a time. At least once every two weeks, check that the connections between the charger and battery are secure, and, in the case of batteries with filler caps on each cell, disconnect the battery from the charger, check the level of the electrolyte and if necessary, top up the cells (**with distilled water, NOT acid**), then reconnect. When handling batteries or in their vicinity, always take care to observe the SAFETY WARNINGS above.

**Charging time:** The time required for the OptiMate 2 to complete a charge on a flat but otherwise undamaged battery is roughly equal to the battery's Ah rating, so a 10Ah battery should take no more than about 10 hours to progress to Step 4. Deep-discharged batteries may take significantly longer.

---

## LIMITED WARRANTY

TecMate (International) SA, Sint-Truidensesteenweg 252, B-3300 Tienen, Belgium, makes this limited warranty to the original purchaser at retail of this product. This limited warranty is not transferable. TecMate (International) warrants this battery charger for three years from date of purchase at retail against defective material or workmanship. If such should occur the unit will be repaired or replaced at the option of the manufacturer. It is the obligation of the purchaser to forward the unit together with proof of purchase (see NOTE), transportation or mailing costs prepaid, to the manufacturer or its authorized representative. This limited warranty is void if the product is misused, subjected to careless handling, or repaired by anyone other than the factory or its authorized representative. The manufacturer makes no warranty other than this limited warranty and expressly excludes any implied warranty including any warranty for consequential damages.

THIS IS THE ONLY EXPRESS LIMITED WARRANTY AND THE MANUFACTURER NEITHER ASSUMES NOR AUTHORIZES ANYONE TO ASSUME OR MAKE ANY OTHER OBLIGATION TOWARDS THE PRODUCT OTHER THAN THIS EXPRESS LIMITED WARRANTY. YOUR STATUTORY RIGHTS ARE NOT AFFECTED.

NOTE: Details at [www.tecmate.com/warranty](http://www.tecmate.com/warranty).

**WARRANTY in Canada, USA, Central America & South America:**

TecMate North America, Oakville, ON, Canada, as a wholly owned subsidiary of TecMate International, assumes the responsibility for product warranty in these regions.

More information on TecMate products can be found at [www.tecmate.com](http://www.tecmate.com).

# Optimate 2

## (12V0.8A)

### INSTRUCTIONS IMPORTANTES CONCERNANT LA SÉCURITÉ

**CONSERVER CES INSTRUCTIONS. CE MANUEL CONTIENT DES INSTRUCTIONS IMPORTANTES CONCERNANT LA SÉCURITÉ ET LE FONCTIONNEMENT DU CHARGEUR OPTIMATE 3.**

FR

### CHARGEUR AUTOMATIQUE POUR BATTERIES 12V PLOMB-ACIDE

**NE CONVIENT PAS POUR LES BATTERIES NiCd, NiMH, Li-Ion OU NON RECHARGEABLES.**

#### AVERTISSEMENT :

N'utiliser l'appareil qu'à l'intérieur. Ne pas exposer à la pluie ou à la neige. Appareil de Classe II.

- a) CONSERVER CES INSTRUCTIONS. CE MANUEL CONTIENT DES INSTRUCTIONS IMPORTANTES CONCERNANT LA SÉCURITÉ ET LE FONCTIONNEMENT.
- b) IL EST DANGEREUX DE TRAVAILLER À PROXIMITÉ D'UNE BATTERIE AU PLOMB. LES BATTERIES PRODUISENT DES GAZ EXPLOSIFS EN SERVICE NORMAL. IL EST AUSSI IMPORTANT DE TOUJOURS RELIRE LES INSTRUCTIONS AVANT D'UTILISER LE CHARGEUR ET DE LES SUIVRE À LA LETTRE.
- c) POUR RÉDUIRE LE RISQUE D'EXPLOSION, LIRE CES INSTRUCTIONS ET CELLES QUI FIGURENT SUR LA BATTERIE.
- d) NE JAMAIS FUMER PRÈS DE LA BATTERIE OU DU MOTEUR ET ÉVITER TOUTE ÉTINCELLE OU FLAMME NUE À PROXIMITÉ DE CES DERNIERS.
- e) UTILISER LE CHARGEUR POUR CHARGER UNE BATTERIE AU PLOMB UNIQUEMENT. CE CHARGEUR N'EST PAS CONÇU POUR ALIMENTER UN RÉSEAU ÉLECTRIQUE TRÈS BASSE TENSION NI POUR CHARGER DES PILES SÈCHES. LE FAIT D'UTILISER LE CHARGEUR POUR CHARGER DES PILES SÈCHES POURRAIT ENTRAÎNER L'ÉCLATEMENT DES PILES ET CAUSER DES BLESSURES OU DES DOMMAGES.
- f) NE JAMAIS CHARGER UNE BATTERIE GELÉE.
- g) S'IL EST NÉCESSAIRE DE RETIRER LA BATTERIE DU VÉHICULE POUR LA CHARGER, TOUJOURS DÉBRANCHER LA BORNE DE MISE À LA MASSE EN PREMIER. S'ASSURER QUE LE COURANT AUX ACCESSOIRES DU VÉHICULE EST COUPÉ AFIN D'ÉVITER LA FORMATION D'UN ARC.
- h) PRENDRE CONNAISSANCE DES MESURES DE PRÉCAUTION SPÉCIFIÉES PAR LE FABRICANT DE LA BATTERIE, P. EX., VÉRIFIER S'IL FAUT ENLEVER LES BOUCHONS DES CELLULES LORS DU CHARGEMENT DE LA BATTERIE, ET LES TAUX DE CHARGEMENT RECOMMANDÉS.
- i) SI LE CHARGEUR COMPORTE UN SÉLECTEUR DE TENSION DE SORTIE, CONSULTER LE MANUEL DE L'USAGER DE LA VOITURE POUR DÉTERMINER LA TENSION DE LA BATTERIE ET POUR S'ASSURER QUE LA TENSION DE SORTIE EST APPROPRIÉE. SI LE CHARGEUR N'EST PAS MUNI D'UN SÉLECTEUR, NE PAS UTILISER LE CHARGEUR À MOINS QUE LA TENSION DE LA BATTERIE NE SOIT IDENTIQUE À LA TENSION DE SORTIE NOMINALE DU CHARGEUR.
- j) NE JAMAIS PLACER LE CHARGEUR DIRECTEMENT SOUS LA BATTERIE À CHARGER OU AU-DESSUS DE CETTE DERNIÈRE. LES GAZ OU LES FLUIDES QUI S'ÉCHAPPENT DE LA BATTERIE PEUVENT ENTRAÎNER LA CORROSION DU CHARGEUR OU L'ENDOMMAGER. PLACER LE CHARGEUR AUSSI LOIN DE LA BATTERIE QUE LES CABLES C.C. LE PERMETTENT.
- k) NE PAS FAIRE FONCTIONNER LE CHARGEUR DANS UN ESPACE CLOS ET/OU NE PAS GÉNER LA VENTILATION.
- l) METTRE LES INTERRUPTEURS DU CHARGEUR HORS CIRCUIT ET RETIRER LE CORDON C.A. DE LA PRISE AVANT DE METTRE ET D'ENLEVER LES PINCES DU CORDON C.C. S'ASSURER QUE LES PINCES NE SE TOUCHENT PAS.
- m) **SUIVRE LES ÉTAPES SUIVANTES LORSQUE LA BATTERIE SE TROUVE DANS LE VÉHICULE.**

UNE ÉTINCELLE PRÈS DE LA BATTERIE POURRAIT PROVOQUER L'EXPLOSION DE CETTE DERNIÈRE. POUR RÉDUIRE LE RISQUE D'ÉTINCELLE À PROXIMITÉ DE LA BATTERIE :

- (i) PLACER LES CORDONS C.A. ET C.C. DE MANIÈRE À ÉVITER QU'ILS SOIENT ENDOMMAGÉS PAR LE CAPOT, UNE PORTIÈRE OU LES PIÈCES EN MOUVEMENT DU MOTEUR ;
- (ii) FAIRE ATTENTION AUX PALES, AUX COURROIES ET AUX POULIES DU VENTILATEUR AINSI QU'À TOUTE AUTRE PIÈCE SUSCEPTIBLE DE CAUSER DES BLESSURES ;
- (iii) VÉRIFIER LA POLARITÉ DES BORNES DE LA BATTERIE. LE DIAMÈTRE DE LA BORNE POSITIVE (POS, P, +) EST GÉNÉRALEMENT SUPÉRIEUR À CELUI DE LA BORNE NÉGATIVE (NÉG, N, -) ;
- (iv) DÉTERMINER QUELLE BORNE EST MISE À LA MASSE (RACCORDÉE AU CHÂSSIS). SI LA BORNE NÉGATIVE EST RACCORDÉE AU CHÂSSIS (COMME DANS LA PLUPART DES CAS), VOIR LE POINT (v). SI LA BORNE POSITIVE EST RACCORDÉE AU CHÂSSIS, VOIR LE POINT (vi) ;

(v) SI LA BORNE NÉGATIVE EST MISE À LA MASSE, RACCORDER LA PINCE POSITIVE (ROUGE) DU CHARGEUR À LA BORNE POSITIVE (POS, P, +) NON MISE À LA MASSE DE LA BATTERIE. RACCORDER LA PINCE NÉGATIVE (NOIRE) AU CHÂSSIS DU VÉHICULE OU AU MOTEUR, LOIN DE LA BATTERIE. NE PAS RACCORDER LA PINCE AU CARBURATEUR, AUX CANALISATIONS D'ESSENCE NI AUX PIÈCES DE LA CARROSSERIE EN TÔLE. RACCORDER À UNE PIÈCE DU CADRE OU DU MOTEUR EN TÔLE DE FORTE ÉPAISSEUR ;

(vi) SI LA BORNE POSITIVE EST MISE À LA MASSE, RACCORDER LA PINCE NÉGATIVE (NOIRE) DU CHARGEUR À LA BORNE NÉGATIVE (NÉG, N, -) NON MISE À LA MASSE DE LA BATTERIE. RACCORDER LA PINCE POSITIVE (ROUGE) AU CHÂSSIS DU VÉHICULE OU AU MOTEUR, LOIN DE LA BATTERIE. NE PAS RACCORDER LA PINCE AU CARBURATEUR, AUX CANALISATIONS D'ESSENCE NI AUX PIÈCES DE LA CARROSSERIE EN TÔLE. RACCORDER À UNE PIÈCE DU CADRE OU DU MOTEUR EN TÔLE DE FORTE ÉPAISSEUR ;

(vii) BRANCHER LE CORDON D'ALIMENTATION C.A. DU CHARGEUR ;

(viii) POUR INTERROMPRE L'ALIMENTATION DU CHARGEUR, METTRE LES INTERRUPTEURS HORS CIRCUIT, RETIRER LE CORDON C.A. DE LA PRISE, ENLEVER LA PINCE RACCORDÉE AU CHÂSSIS ET EN DERNIER LIEU CELLE RACCORDÉE À LA BATTERIE.

**n) SUIVRE LES ÉTAPES SUIVANTES LORSQUE LA BATTERIE EST À L'EXTÉRIEUR DU VÉHICULE.**

UNE ÉTINCELLE PRÈS DE LA BATTERIE POURRAIT PROVOQUER L'EXPLOSION DE CETTE DERNIÈRE. POUR RÉDUIRE LE RISQUE D'ÉTINCELLE À PROXIMITÉ DE LA BATTERIE :

(i) VÉRIFIER LA POLARITÉ DES BORNES DE LA BATTERIE. LE DIAMÈTRE DE LA BORNE POSITIVE (POS, P, +) EST GÉNÉRALEMENT SUPÉRIEUR À CELUI DE LA BORNE NÉGATIVE (NÉG, N, -) ;

(ii) RACCORDER UN CÂBLE DE BATTERIE ISOLÉ No 6 AWG MESURANT AU MOINS 60 CM DE LONGUEUR À LA BORNE NÉGATIVE (NÉG, N, -) ;

(iii) RACCORDER LA PINCE POSITIVE (ROUGE) À LA BORNE POSITIVE (POS, P, +) DE LA BATTERIE ;

(iv) SE PLACER ET TENIR L'EXTRÉMITÉ LIBRE DU CÂBLE AUSSI LOIN QUE POSSIBLE DE LA BATTERIE, PUIS RACCORDER LA PINCE NÉGATIVE (NOIRE) DU CHARGEUR À L'EXTRÉMITÉ LIBRE DU CÂBLE ;

(v) NE PAS SE PLACER FACE À LA BATTERIE POUR EFFECTUER LE DERNIER RACCORDEMENT ;

(vi) RACCORDER LE CORDON D'ALIMENTATION C.A. DU CHARGEUR À LA PRISE ;

(vii) POUR INTERROMPRE L'ALIMENTATION DU CHARGEUR, METTRE LES INTERRUPTEURS HORS CIRCUIT, RETIRER LE CORDON C.A. DE LA PRISE, ENLEVER LA PINCE RACCORDÉE AU CHÂSSIS ET EN DERNIER LIEU CELLE RACCORDÉE À LA BATTERIE. SE PLACER AUSSI LOIN QUE POSSIBLE DE LA BATTERIE POUR DÉFAIRE LA PREMIÈRE CONNEXION.



# Optimate 2

## 12V0.8A

### CHARGEUR AUTOMATIQUE À FONCTION DIAGNOSTIC POUR BATTERIES PLOMB-ACIDE À PARTIR DE 3AH - 38AH.

**NE CONVIENT PAS POUR LES BATTERIES NiCd, NiMH, Li-Ion OU NON RECHARGEABLES.**

FR

#### **IMPORTANT : LIRE ENTIÈREMENT LES INSTRUCTIONS SUIVANTES AVANT D'UTILISER LE CHARGEUR**

Cet appareil n'est pas destiné à être utilisé par des personnes (y compris des enfants) possédant des capacités physiques, sensorielles ou mentales réduites, ou manquant d'expérience et de connaissance, sauf si elles bénéficient d'une surveillance ou ont reçu des instructions concernant l'utilisation de l'appareil d'une personne responsable de leur sécurité. Les enfants doivent faire l'objet d'une surveillance pour s'assurer qu'ils ne jouent pas avec l'appareil.

**AVERTISSEMENT DE SÉCURITÉ ET REMARQUES : Les batteries émettent des GAZ EXPLOSIFS - il faut interdire les flammes ou les étincelles à proximité.**

Avant d'établir ou de rompre les connexions de courant continu à la batterie, déconnecter l'alimentation secteur. L'acide des batteries est un puissant corrosif. Porter des vêtements et lunettes protecteurs et éviter tout contact. En cas de contact accidentel, laver immédiatement à l'eau et au savon. S'assurer que les bornes des batteries ne sont pas branlantes ; le cas échéant la batterie doit subir une évaluation professionnelle. Si les bornes sont corrodées, nettoyer à l'aide d'une brosse de cuivre ; s'ils sont gras ou sales, nettoyer à l'aide d'un torchon trempé dans du détergent. Utiliser uniquement le chargeur si les câbles et connecteurs d'entrée et de sortie sont en bon état et non endommagés. Si le câble d'entrée est endommagé, il est essentiel de le faire remplacer par le constructeur, son agent de service autorisé ou un atelier qualifié, pour éviter tout danger. Protéger le chargeur contre les acides et fumées acides, l'humidité et un environnement humide, aussi bien durant l'usage que l'entreposage. Les dégâts résultant de la corrosion, de l'oxydation ou de courts-circuits internes ne sont pas couverts par la garantie. Durant le chargement, éloigner le chargeur de la batterie pour éviter la contamination par l'acide ou les vapeurs acides ou l'exposition à ceux-ci. En cas d'utilisation horizontale, placer le chargeur sur une surface dure et plane, PAS en plastique, tissu ou cuir. Utiliser les trous de fixation de la base pour fixer le chargeur sur toute surface verticale appropriée et solide.

**EXPOSITION AUX LIQUIDES :** Ce chargeur est conçu pour résister à l'exposition aux liquides qui tomberaient accidentellement sur le boîtier, ou à une pluie légère. Une exposition prolongée à des liquides tombants ou à la pluie est à déconseiller. Une durée de vie supérieure résultera d'une telle précaution. Une panne due à l'oxydation résultant d'une pénétration de liquide dans les composants électroniques, blocs connecteurs ou fiches, ne sera pas couverte par la garantie.

**CONNEXIONS DE BATTERIE :** l'appareil est livré avec deux jeux de connexion interchangeables, l'un muni de pinces crocodiles pour le chargement de batteries hors véhicule, l'autre, optionnel, disposant de cosses à œillets pour la connexion permanente aux bornes de batterie, ainsi que d'un capuchon résistant aux intempéries réouvrable sur le connecteur relié au chargeur. Ce jeu de connexion permet la connexion sûre et facile du chargeur à la batterie sur véhicule. Le capuchon résistant aux intempéries réouvrable est conçu pour protéger le connecteur contre la saleté et l'humidité lorsque le chargeur n'est pas connecté. Consulter un agent de service professionnel pour toute assistance à la connexion des œillets métalliques aux bornes de batterie. Assurer le connecteur avec le capuchon résistant aux intempéries de manière à ce qu'il ne puisse gêner aucune pièce mobile du véhicule et pour éviter le pincement du câble ou son endommagement par des bords tranchants. Le fusible en ligne du jeu de connecteurs à œillets protège la batterie contre le court-circuitage accidentel des pôles positif et négatif. Remplacer un fusible sauté uniquement par un autre similaire de 15A.

#### **BRANCHEMENT DU CHARGEUR A LA BATTERIE**

1. Débranchez l'alimentation secteur avant d'effectuer un branchement CC/batterie ou de le débrancher.
2. Si vous chargez une batterie installée dans le véhicule avec les pinces pour batterie, avant les branchements, vérifiez d'abord que les pinces pour batterie peuvent être positionnées en toute sécurité loin du câblage voisin, d'un tube métallique ou du châssis. Respectez l'ordre qui suit : branchez d'abord la borne de la batterie non raccordée au châssis (normalement positive) puis, branchez l'autre pince pour batterie (normalement négative) au châssis à un endroit bien éloigné de la batterie et du conduit de carburant. Débranchez toujours dans l'ordre inverse.
3. Lorsque vous chargez une batterie hors du véhicule avec les pinces pour batterie, placez-la dans un endroit bien ventilé. Branchez le chargeur à la batterie : La pince ROUGE sur la borne POSITIVE (POS, P ou +) et la pince NOIRE sur la borne NÉGATIVE (NEG, N ou -). Vérifiez que les branchements sont bien fixés. Un bon contact est important.

4. Si la batterie est complètement déchargée (et probablement sulfatée), retirez-la du véhicule et inspectez la batterie avant de brancher le chargeur pour une tentative de récupération. Vérifiez visuellement la batterie à la recherche de défauts mécaniques tels qu'un gonflement ou un boîtier craquelé ou encore de signes de fuite d'électrolyte. Si la batterie présente des bouchons de remplissage et que les plaques des cellules sont visibles de l'extérieur, examinez soigneusement la batterie pour tenter de déterminer si certaines cellules semblent différentes des autres (par exemple, de la matière blanche entre les plaques, les plaques qui entrent en contact). Si vous avez détecté des défauts mécaniques, ne chargez pas la batterie et faites-la examiner par un professionnel.
5. Si la batterie est neuve, avant de brancher le chargeur, lisez attentivement les instructions d'utilisation et de sécurité fournies par le fabricant de la batterie. Si besoin est, suivez attentivement et exactement les instructions relatives au remplissage de l'acide.

## UTILISATION DE L'OPTIMATE 2: COMMENCER LA CHARGE

FR

Pour des raisons de sécurité, la sortie de l'Optimate sera uniquement activée s'il est connecté à une batterie disposant d'un minimum de 2V.

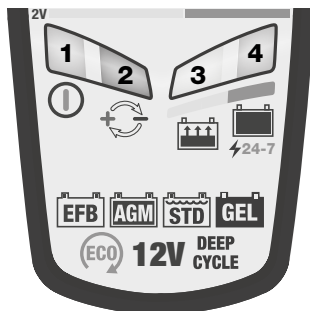
**BATTERIES NÉGLIGÉES TRÈS DÉCHARGÉES : tenir spécialement compte de ce qui suit, surtout pour les batteries relativement petites comme celles des motos, tracteurs à gazon, jet ski, motoneiges et similaires :** Les cellules d'une batterie restée en décharge profonde durant une longue période peuvent être endommagées à titre permanent. Ces batteries peuvent chauffer excessivement durant la charge à courant élevé.

Vérifier la température de batterie durant la première heure, puis chaque heure suivante. Vérifier la présence de signes inhabituels comme des bulles ou fuites d'électrolyte, une activité plus importante d'une cellule par rapport aux autres, ou des sifflements. Si à un moment quelconque, la batterie devient trop chaude au toucher ou si vous constatez des signes inhabituels, **DECONNECTER IMMÉDIATEMENT LE CHARGEUR.**

### MODE ÉCONOMIE D'ÉNERGIE LORSQUE LE CHARGEUR EST CONNECTÉ A L'ALIMENTATION SECTEUR :

Le convertisseur d'énergie se désactive et passe en mode ECO lorsque le chargeur est déconnecté de la batterie, la puissance consommée diminuant jusque 0.5W, l'équivalent d'une consommation d'énergie de 0.012 kWh par jour. Lorsqu'une batterie est branchée au chargeur, la consommation d'énergie dépend de la demande en courant de la batterie et du véhicule/des circuits électroniques raccordés. Une fois que la batterie est chargée et que le programme de charge est en mode de charge d'entretien à long terme (pour garder la batterie chargée à 100 %), la consommation d'énergie totale est estimée à 0.060 kWh ou moins par jour.

Les indications LED évoquées ci-dessous et les textes qui s'y rapportent apparaissent dans l'ordre de déroulement logique du programme.



**LED #1 - Marche. Confirme la présence d'alimentation AC vers le chargeur. L'intensité lumineuse est faible en MODE ÉCONOMIE D'ÉNERGIE.**

**LED #2 polarités inverses – connexions erronées en sortie. Corriger pour activation.**

### LED #3 - CHARGE

- 3.1 La récupération de basse tension à partir de 2 V - le courant qui va jusqu'à 0.8 A est envoyé par impulsions pour préparer la batterie à recevoir la charge. Temps de charge : minimum 15 minutes, maximum 2 heures.
- 3.2 CHARGE : Etape de CHARGE principale : un courant constant de 0.8A maximum est délivré dans la batterie, jusqu'à une tension de 14.2 à 14.5V.
- 3.3 Le mode d'OPTIMISATION de charge démarre lorsque la tension atteint pour la première fois les 14.2 à 14.5V durant la phase de charge principale. Durant 30 minutes, la commande fournira un courant pulsé de manière à égaliser les cellules de la batterie. Le niveau de charge de la batterie est vérifié. Si la batterie nécessite plus de charge, le programme prolongera le mode d'OPTIMISATION de charge pendant un maximum de 4 heures.

**REMARQUE :** pour des raisons de sécurité, il y a une limite de charge absolue de 96 heures.

**LED #4: Le programme de maintenance avancé d'OptiMate - Alternance entre tests de rétention de**

#### voltage et maintien chaque demi heure.

**4.1** Pour une bonne batterie capable de maintenir plus de 12.4 V pendant un test de **30 minutes** \* - PAS DE CHARGE DE COURANT- et une période de 30 minutes de charge, LED #4 reste allumée. Si le voltage de la batterie tombe en dessous de 12.4 V pendant le test, le programme revient à l'étape 3.3.

**\* Premier test = 12 heures. Si la période de charge était inférieure à 12 heures, la durée du test premier sera étendue jusqu'à 24 heures au total.**

*Si LED#3 et #4 alternent toutes les 3 à 10 secondes, il signifie qu'après la charge la tension de la batterie n'est pas maintenue ou que malgré des tentatives de récupération, la batterie est irrécupérable. Ceci est peut-être dû à un défaut de la batterie elle-même, comme un court-circuit interne ou une sulfatation totale ou, dans le cas d'une batterie restée connectée à un véhicule, cela signale peut-être une perte de courant sur un faisceau défaillant, un interrupteur ou contact dégradé, ou encore la présence d'accessoires consommant du courant. Une consommation soudaine comme l'allumage des phares alors que le chargeur est connecté peut aussi entraîner une chute de voltage significative. Ôtez la batterie dans tous les cas, reconnectez l'OptiMate™ et recommencez le programme. Si les mauvais résultats persistent, il est conseillé d'amener la batterie dans un atelier professionnel équipé d'appareils de test professionnels pour procéder à une analyse approfondie.*

**4.2 Entretien** - une charge flottante sous voltage sûr de 13.6V et jusqu'à 0.8A est disponible pour prévenir toute décharge. La batterie prend le courant nécessaire pour compenser les pertes et consommations. Les périodes de test (PAS DE CHARGE DE COURANT) et d'entretien continuent d'alterner toutes les 1/2h jusqu'à déconnexion. Si le voltage de la batterie tombe en dessous de 12.4 V, le programme revient à l'étape 3.3.

**Maintenance d'une batterie durant des périodes prolongées :** L'OptiMate maintiendra une batterie dont l'état est bon, en toute sécurité durant plusieurs mois.

Vérifier au moins une fois par quinzaine la sécurité des connexions entre chargeur et batterie. Dans le cas de batteries équipées de bouchons de remplissage sur chaque cellule, déconnecter la batterie du chargeur, vérifier le niveau d'électrolyte et faire l'appoint si nécessaire (**en eau distillée, PAS en acide**), puis reconnecter. Lors de la manipulation de batteries ou à proximité de celles-ci, toujours respecter les AVERTISSEMENTS DE SÉCURITÉ ci-dessus.

**Temps de charge :** Le temps requis par l'OptiMate 3 si la batterie est déchargée mais toutefois en bon état, est environ égal à la capacité de la batterie en Ah. Il faudra donc à peu près 10 heures pour qu'une batterie de 10Ah soit amenée à l'étape 4. Les batteries en état de décharge profonde peuvent prendre beaucoup plus de temps.

## GARANTIE LIMITÉE

TecMate International SA, Sint-Truidensesteenweg 252, B-3300 Tienen, Belgique, consent la présente garantie au premier client utilisateur de ce produit, sans possibilité de transfert. TecMate (International) garantit ce chargeur pendant trois ans à compter de la date d'achat au détail contre les défauts de composants ou d'assemblage. Le cas échéant, le chargeur sera réparé ou remplacé à la discrétion du fabricant. L'acheteur doit expédier, à ses frais, l'appareil ainsi qu'une preuve d'achat (voir "NOTE") au fabricant ou à son représentant agréé. Cette garantie limitée devient nulle si l'appareil est utilisé ou manipulé de façon inadéquate ou s'il a été réparé par toute personne physique ou morale autre que le fabricant ou un représentant agréé. Le fabricant n'offre aucune autre garantie que la présente, et exclut expressément toute garantie contre les dommages consécutifs.

CECI EST LA SEULE GARANTIE EXPRESSÉMENT CONSENTIE PAR LE FABRICANT. CELUI-CI N'ASSUME ET N'AUTORISE QUICQUONQUE A ASSUMER OU ETABLIR TOUTE AUTRE OBLIGATION LIÉE À CE PRODUIT, AUTRE QUE CETTE GARANTIE LIMITÉE EXPRESSÉMENT CONSENTIE. VOS DROITS STATUTAIRES NE SONT PAS AFFECTÉES.

NOTE : Voir [www.tecmate.com/warranty](http://www.tecmate.com/warranty) ou contactez [warranty@tecmate.com](mailto:warranty@tecmate.com)

On peut trouver plus d'information sur les produits de TecMate chez [www.tecmate.com](http://www.tecmate.com).

# Optimate 2

## 12V0.8A

### CARGADOR DE DIAGNÓSTICO AUTOMÁTICO PARA BATERÍAS DE PLOMO ÁCIDO DE 12 V A PARTIR DE 3AH - 38AH.

**NO UTILIZAR CON BATERÍAS DE NiCd, NiMH, Li-Ion O BATERÍAS NO RECARGABLES.**

#### **IMPORTANTE: LEA COMPLETAMENTE LAS SIGUIENTES INSTRUCCIONES ANTES DE UTILIZAR EL CARGADOR**

**Este aparato no está concebido para que lo utilicen personas (incluidos niños) con capacidades físicas, sensoriales o mentales disminuidas, o bien con falta de experiencia y conocimientos, a menos que una persona responsable de su seguridad las supervise o les dé instrucciones sobre el uso del aparato. Es necesario supervisar a los niños para asegurarse de que no juegan con el aparato.**

**AVISOS Y PRECAUCIONES DE SEGURIDAD:** Las baterías emiten GASES EXPLOSIVOS, evite la posibilidad de llamas o chispas cerca de las baterías. Desconecte la corriente CA antes de realizar o deshacer conexiones de la batería CC. El ácido de la batería es altamente corrosivo. Utilice ropa y gafas de protección y evite el contacto con el ácido. En caso de contacto accidental, enjuague inmediatamente la zona afectada con agua y jabón. Compruebe que los polos de la batería no estén sueltos, y si lo están, lleve la batería a un servicio técnico. Si los bornes presentan corrosión, límpielos con un cepillo de hilo de cobre, y si presentan grasa o suciedad, límpielos con un trapo humedecido en detergente. Utilice el cargador solamente si los cables y conectores de entrada y salida se encuentran en buenas condiciones y sin daños. Si el cable de entrada está dañado, es fundamental que el fabricante, el servicio técnico autorizado o un taller capacitado lo sustituyan sin demora para evitar riesgos. Proteja el cargador del ácido y de las emisiones de gases de ácido y de ambientes húmedos o superficies mojadas durante su utilización y almacenamiento. La garantía no cubre daños derivados de la corrosión, oxidación o cortocircuitos eléctricos internos. Coloque el cargador a una distancia adecuada de la batería durante la recarga para evitar la contaminación o la exposición al ácido o vapores de ácido. Si se utiliza en posición horizontal, coloque el cargador en una superficie dura y plana, PERO NUNCA sobre plástico, tela o piel. Utilice los orificios de fijación de la base de la carcasa para fijar el cargador en una superficie cómoda y totalmente horizontal.

**EXPOSICIÓN A LÍQUIDOS:** Este cargador fue desarrollado para resistir a líquidos que hubieran sido derramados de forma accidental o a intemperies ligeras. No obstante, no se recomiendan las exposiciones prolongadas, que podrían menguar la duración de vida del cargador. Los desgastes, resultado de la oxidación debida al ataque eventual de líquidos en los componentes electrónicos, los conectadores o enchufes no se cubren por la garantía

**CONEXIONES DE BATERÍA:** Hay disponibles 2 juegos de conectores intercambiables, se suministra con el cargador un juego de pinzas de batería para recargarla fuera del vehículo, el juego de conexión opcional tiene unos orificios metálicos para conectarlos permanentemente a los bornes de la batería y una tapa impermeable resellable en el conector que conecta al cable de salida del cargador. Este tipo de conector permite una conexión fácil y segura al cargador sin tener que sacar la batería del vehículo. La tapa impermeable resellable está diseñada para proteger el conector de la suciedad y la humedad cuando el cargador no esté conectado. Pregunte a un mecánico profesional antes de conectar el conector de orificios a los bornes de la batería. Asegure los tapones impermeables a los conectores para evitar que se enganchen con alguna pieza móvil del vehículo o estropeen o dañen algún cable con los bordes afilados. El fusible en línea del juego de conectores con orificios protege la batería frente a cortocircuitos accidentales entre los conductores positivo y negativo. Sustituya los fusibles quemados con un fusible nuevo similar de 15 A.

#### **CONEXIÓN DEL CARGADOR A LA BATERÍA**

1. Desconecte el suministro de CA antes de efectuar o deshacer las conexiones de CC / batería.
2. Si se va a cargar una batería montada en el vehículo con las pinzas, compruebe primero que las pinzas se pueden colocar de forma segura y correcta, lejos del cableado, los tubos metálicos o el bastidor, antes de efectuar las conexiones. Realice las conexiones en este orden: realice primero la conexión al terminal de la batería que no está conectado con el bastidor (normalmente positivo), luego conecte la otra pinza de batería (normalmente negativa) al bastidor a una distancia suficiente de la batería y de la tubería de combustible. Desconecte siempre realizando los pasos anteriores en orden inverso.
3. Cuando cargue una batería fuera del vehículo con las pinzas, colóquela en un lugar bien ventilado. Conecte el cargador a la batería: pinza ROJA con el terminal POSITIVO (POS, P o +) y pinza NEGRA con el terminal NEGATIVO (NEG, N o -). Asegúrese de que las conexiones son firmes y seguras. Es importante que hagan bien contacto.
4. Si la batería está excesivamente descargada (y posiblemente sulfatada), retirela del vehículo e inspecciónela antes de conectar el cargador para intentar recuperarla. Examine visualmente la batería en busca de desperfectos mecánicos, como combas o fisuras en la carcasa, o indicios de fugas de electrolito. Si la batería tiene tapones de llenado y se pueden ver desde fuera las placas del interior de las células, examine detenidamente la batería para comprobar si hay células que parezcan distintas de las

demás (por ejemplo, con materia blanca entre las placas o placas en contacto). Si se han detectado desperfectos mecánicos, no intente cargar la batería, encargue su evaluación a personal cualificado.

5. Si la batería es nueva, lea atentamente las instrucciones de seguridad y uso del fabricante de la misma antes de conectar el cargador. En su caso, siga estrictamente las instrucciones de llenado de ácido.

## UTILIZACIÓN DEL OPTIMATE 2: INICIAR LA CARGA

Por motivos de seguridad, la corriente de salida del OptiMate se activará solamente si hay conectada una batería con al menos 2V.

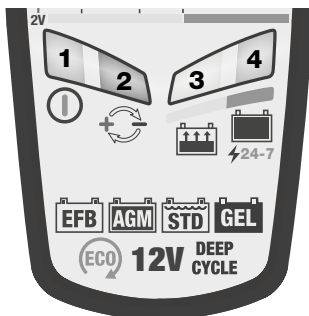
**BATERÍAS DESECHADAS TOTALMENTE DESCARGADAS:** Preste especial atención a los siguientes puntos, que son especialmente importantes en el caso de baterías relativamente pequeños, como pueden ser de motocicletas, tractores de jardín, motos de agua, motos de nieve y similares: Una batería que haya permanecido descargada durante un periodo largo de tiempo puede desarrollar daños permanentes en una o más celdas. Esas baterías pueden calentarse en exceso durante la carga de alta tensión. Detenga inmediatamente la carga de la batería si está demasiado caliente al tacto.

Controle la temperatura de la batería durante la primera hora, a partir de entonces, contrólela cada hora. Permanezca atento a señales inusuales, como pueden ser el burbujeo o la fuga de electrolito, una mayor actividad en una pila en comparación con las otras o sonidos silbantes. Si en cualquier momento la batería está demasiado caliente o nota cualquier señal que no sea normal, DESCONECTE EL CARGADOR INMEDIATAMENTE.

### MODO DE AHORRO DE ENERGÍA ECO CUANDO EL CARGADOR ESTÁ CONECTADO AL SUMINISTRO DE CA:

El convertidor de energía pasa al modo ECO cuando el cargador no está conectado a una batería, por lo que el consumo de corriente es muy bajo (inferior a 0,5 W), lo que equivale a un consumo de energía de 0,012 kWh al día. Cuando la batería está conectada al cargador, el consumo de energía varía en función de la cantidad de corriente que necesiten la batería y los circuitos del vehículo / electrónicos conectados a la misma. Una vez que se ha cargado la batería y el programa de carga está en el modo de carga de mantenimiento prolongado (para mantener la batería a plena carga), el consumo total de energía estimado es de 0,060 kWh o menos por día.

Las indicaciones LED evocadas a continuación y los textos relacionados aparecen según el orden de secuencia lógica del programa.



**LED #1 - marcha.** Este LED confirma la alimentación AC hacia el cargador. La intensidad de la luz es baja durante el MODO DE AHORRO DE ENERGÍA.

**LED #2 - polaridades invertidas** – conexiones erróneas en salida. Corregir para activación.

### LED #3 - RECUPERACIÓN, CARGA y OPTIMIZACIÓN

**3.1. Recuperación de baja tensión:** se suministra de corriente por impulsos para preparar a la batería a que acepte una carga normal. *Este modo es especialmente eficaz para la recuperación de baterías activadas de fábrica / baterías «de alto rendimiento» de plomo puro o baterías AGM con células ciclicas.*

Tiempo de carga: mínimo 15 minutos, máximo 2 horas.

**3.2. Carga: Etapa de CARGA principal :** una corriente constante de máximo 0.8A se suministra, hasta una tensión de 14.2-14.5 V.

**3.3. Optimización:** El modo comienza cuando el voltaje alcanza los 14.2 - 14.5 V por la primera vez durante la CARGA PRINCIPALE. Durante 30 minutos, el control de corriente proporciona pulsos de corriente para igualar las células individuales de la batería, mientras se verifica el nivel de carga de la batería. Si la batería necesita más carga, el programa OPTIMIZE se extenderá a cargar hasta el máxima de 4 horas.

**OBSERVACIÓN:** por razones de seguridad hay un límite temporal de carga general de 96 horas.

**LED #4 - El programa de mantenimiento avanzado de OptiMate - Pruebas de retención de la tensión**

alternadas cada media hora con el mantenimiento de la batería.

**4.1 Pruebas de retención de la tensión** - El LED #4 permanece encendido si la batería está en buen estado y puede permanecer por encima de los 12,4 V durante la prueba de **30 minutos** \* (SIN CORRIENTE DE CARGA). Si la tensión de la batería resulta inferior a los 12,4 V durante la prueba, el programa vuelve al paso 3.3.

\* **Primera prueba = 12 horas. Si el suministro de carga era inferior a 12 horas, la prueba primera se extiende a hasta que hayan pasado 24 horas.**

*Si los LED #3 y #4 se encienden cada 3-10 segundos de forma alterna, quieren decir que tras la carga no se mantiene el voltaje de la batería o que a pesar de los intentos de recuperación, la batería es irrecuperable. Eso puede ser debido a un defecto de la batería misma, como un cortocircuito interno o una sulfatación total ó, si la batería se quedó conectada a un vehículo, podría indicar una pérdida de corriente por un circuito defectuoso, un interruptor o contacto dañado, o la presencia de accesorios que consumen una corriente. Un consumo súbito como el encendido de los faros mientras que el cargador sea conectado también podría llegar a una caída de voltaje significativa. En todos casos quita la batería, reconecta el OptiMate™ y recomienza el programa. Si los resultados bajos persisten, se recomienda que llevar la batería a un taller profesional equipado con equipos profesionales para que realicen un diagnóstico más exhaustivo.*

**4.2 Mantenimiento** - carga flotante con un límite de tensión segura de 13,6 V a incluso 0,8A está disponible para evitar toda descarga. La batería "tira" la corriente que necesita para compensar las pérdidas y los consumos. Los períodos de test y de mantenimiento siguen alternándose toda 1/2h hasta la desconexión. Si la tensión de la batería resulta inferior a los 12,4 V, el programa vuelve al paso 3.3.

**Mantenimiento de la batería en períodos prolongados de tiempo:** El OptiMate mantendrá una batería cuyo estado es bueno, en total seguridad durante varios meses. Al menos una vez cada dos semanas, compruebe que las conexiones entre el cargador y la batería está correctas, y en el caso de baterías con un tapón en cada celda, desconecte la batería del cargador, compruebe el nivel de electrolito y si es necesario, rellene las celdas (**con agua destilada, NO ácido**), y vuelva a conectarla. Al manipular baterías o junto a las mismas, tenga en cuenta las ADVERTENCIAS DE SEGURIDAD mencionadas anteriormente.

**Tiempo de carga:** El tiempo necesario para recargar una batería totalmente descargada pero en buen estado al medio del OptiMate™2 es más o menos igual a la capacidad de la batería en Ah. Entonces se necesita cerca de 10 horas para que una batería de 10Ah alcance la etapa 4. Las baterías en estado de descarga profunda pueden necesitar mucho más tiempo.

## GARANTÍA LIMITADA

TecMate (International) SA, Sint-Truidensesteenweg 252, B-3300 Tienen, Bélgica, establece esta garantía limitada en favor del primer propietario que utilice este aparato. Esta garantía limitada no es transferible. TecMate (International) garantiza este aparato durante los tres años siguientes a la fecha de compra por su primer usuario contra las fallos de materiales y de montaje. En este caso y a discreción del fabricante el aparato podrá ser reparado ó reemplazado. La gestión y los costes relativos al transporte del aparato acompañado por una prueba de compra (véase "NOTA") al fabricante ó a uno de sus representantes autorizados serán por cuenta del cliente. Esta garantía limitada se anula en caso de uso ó tratamiento inadecuado, ó de reparación hecha por toda persona o organización otra diferente al fabricante ó uno de sus representantes autorizados. El fabricante no cumple con otra garantía que esta garantía limitada y expresamente excluye toda forma de garantía contra otros daños que los que sufra el aparato por sí mismo.

ESTO CONSTITUYE LA ÚNICA GARANTÍA LIMITADA VÁLIDA. EL FABRICANTE NO RECONOCE A QUIENQUIERA EL DERECHO DE EJERCER Ó DE TRANSMITIR NINGUN DERECHO RELATIVO AL PRODUCTO VENDIDO QUE SEA OTRO QUE EL QUE SE DERIVA DE ESTA GARANTÍA LIMITADA EXPRESA. LAS SUS DERECHAS ESTATUTARIAS NO SON AFECTADAS.

NOTA: Véase [www.tecmate.com/warranty](http://www.tecmate.com/warranty) ó contacte [warranty@tecmate.com](mailto:warranty@tecmate.com)

Se puede encontrar más información sobre los productos de TecMate en [www.tecmate.com](http://www.tecmate.com).

# Optimate 2

## 12V0.8A

### CARREGADOR DE DIAGNÓSTICO AUTOMÁTICO PARA BATERIAS DE CHUMBO-ÁCIDO DE 12V A PARTIR DE 3AH - 38AH

**NÃO UTILIZAR PARA BATERIAS NiCd, NiMH, Li-Ion OU BATERIAS NÃO RECARREGÁVEIS.**

#### **IMPORTANTE: LEIA AS SEGUINTE INSTRUÇÕES DE UTILIZAÇÃO ANTES DE UTILIZAR O CARREGADOR**

Este dispositivo não se destina a ser utilizado por pessoas (incluindo crianças) com capacidades mentais, sensoriais ou físicas diminuídas, nem por pessoas com falta de experiência ou conhecimentos, a não ser que recebam supervisão ou instruções adequadas, dadas por uma pessoa responsável pela sua segurança, no que respeita ao seu uso. As crianças devem ser supervisionadas de modo a assegurar que não brinquem com o dispositivo.

**AVISO DE SEGURANÇA e NOTAS:** As baterias emitem GASES EXPLOSIVOS - evitar chamas ou faíscas perto de baterias. Desligue a alimentação de CA antes de efectuar ou remover ligações à CC/bateria. O ácido da bateria é altamente corrosivo. Usar vestuário de protecção, equipamento para os olhos e evitar o contacto. Em caso de contacto accidental, lavar imediatamente com água e sabão.

Verifique se os terminais da bateria não estão soltos; se estiverem, peça a um profissional para avaliar a bateria. Se os terminais da bateria estiverem corroídos, limpe-os com uma escova de fio de cobre; se estiverem oleosos ou sujos, limpe-os com um trapo humedecido em detergente. Apenas utilize o carregador se os fios e os dispositivos de ligação de entrada e saída estiverem em boas condições e sem danos. Se o cabo de entrada estiver danificado, é essencial que este seja substituído sem demora pelo fabricante, o respectivo agente autorizado ou uma oficina qualificada, para evitar o perigo. Proteger o carregador de ácido, vapores ácidos, humidade e condições húmidas, tanto durante a utilização, como em armazenamento. Os danos resultantes da corrosão, da oxidação ou de um curto-circuito eléctrico interno não estão abrangidos na garantia. Distanciar o carregador da bateria durante o carregamento, para evitar contaminação por ou exposição a ácido ou vapores ácidos. Se for utilizado na horizontal, coloque o carregador numa superfície dura e plana, mas NÃO em cima de plástico, têxtil ou cabedal. Utilize os orifícios de fixação existentes na base do invólucro para fixar o carregador a qualquer superfície vertical conveniente e em boas condições.

**EXPOSIÇÃO A LÍQUIDOS:** Este carregador foi concebido para resistir à exposição a líquidos que possam cair accidentalmente sobre a caixa, ou aos chuveiros. Uma exposição prolongada aos líquidos ou à chuva é desaconselhada. Uma duração de vida superior resultará de tal precaução. Uma avaria ocasionada pela oxidação resultante da penetração de líquidos nos componentes electrónicos, nos conectores ou nas fichas não será coberta pela garantia.

**LIGAÇÕES DA BATERIA:** Fornecidos com o carregador, estão disponíveis 2 conjuntos de ligações intermutáveis. Um tem pinças de crocodilo para carregar a bateria fora do veículo, o outro tem um conjunto de ligação opcional com terminais em ilhé de metal para uma ligação permanente aos terminais da bateria e um tampão à prova de vento e chuva que pode voltar a ser selado, no conector que liga ao carregador. Este conjunto de ligações permite uma conexão fácil e segura do carregador para manter a bateria no veículo. O tampão à prova de vento e chuva que pode voltar a ser selado, foi concebido para proteger o conector de sujidade e humidade, sempre que o carregador não está acoplado. Consulte um agente técnico profissional para auxiliar na fixação dos ilhé de metal aos terminais da bateria. Preencha o conector com tampão à prova de vento e chuva, de modo a não ser possível sujar qualquer peça móvel do veículo ou o cabo possa ser comprimido ou danificado por arestas cortantes. O fusível em linha no conjunto de ligação de ilhé protege a bateria contra tais curtos-circuitos accidentais nos condutores positivo e negativo. Substitua um fusível queimado apenas com um novo fusível semelhante de valor nominal 15A.

#### **LIGAÇÃO DO CARREGADOR À BATERIA**

1. Desligue a fonte de alimentação CA antes de estabelecer ou desligar as ligações CC à bateria.
2. Antes de estabelecer as ligações, se estiver a carregar a bateria no interior do veículo utilizando os terminais de cabo para bateria, verifique primeiro que estes podem ser posicionados e fixados de forma segura, afastados de cablagens, tubagens metálicas e do chassis. Estabeleça as ligações pela ordem seguinte: Ligue primeiro ao terminal da bateria não ligado ao chassis (normalmente o terminal positivo). De seguida, ligue o outro terminal de cabo para bateria (normalmente negativo) ao chassis, num local bem afastado da bateria e da linha de combustível. Desligue sempre pela ordem inversa.
3. Ao carregar a bateria no exterior do veículo com os terminais de cabo para bateria, coloque-a num local bem ventilado. Ligue o carregador à bateria: VERMELHO ligue ao terminal POSITIVO (POS, P ou +) e PRETO ligue ao terminal NEGATIVO (NEG, N ou -). Assegure-se de que as ligações estão firmes e seguras. Um bom contacto é essencial.
4. Caso a bateria esteja muito descarregada (e possivelmente sulfatada), remova do veículo e inspecione antes de ligar ao carregador para a tentativa de recuperação. Verifique visualmente a bateria relativamente a defeitos mecânicos tais como

PT

bojamento ou fendas, ou sinais de derrames de electrólito. Caso a bateria tenha tampas para enchimento e as placas dentro das células possam ser vistas a partir do exterior, examine cuidadosamente a bateria para determinar se alguma das células parece estar diferente das outras (por exemplo, depósitos brancos entre as placas, placas a tocarem-se). Se verificar que existem defeitos mecânicos, não tente carregar a bateria: leve-a para ser avaliada por um profissional.

5. Se a bateria é nova, leia cuidadosamente as instruções de segurança e de operação do fabricante antes de ligar o carregador. Caso aplicável, siga cuidadosa e exactamente as instruções de enchimento com ácido.

## UTILIZAÇÃO DO OPTIMATE 2: INICIAR A CARGA ;

Por razões de segurança, a saída do OptiMate só será activada se estiver ligada uma bateria com pelo menos 2V.

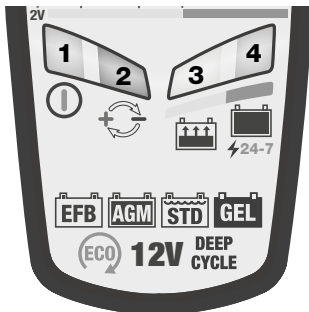
**BATERIAS NEGLIGENCIADAS TOTALMENTE DESCARREGADAS:** Preste especial atenção ao seguinte, que é importante sobretudo para baterias relativamente pequenas, como as usadas em motociclos, aparadores de relva, motos aquáticas, motos de neve e semelhantes: Uma bateria, deixada profundamente descarregada por um longo período de tempo, pode desenvolver danos materiais permanentes em uma ou mais células. Tais baterias podem aquecer excessivamente durante cargas de corrente elevada. Pare de carregar qualquer bateria imediatamente, se a bateria ficar demasiado quente ao toque.

Monitorize a temperatura da bateria durante a primeira hora e, depois, de hora a hora. Verifique se existem sinais invulgares, como formação de bolhas ou fuga de electrólito, aumento de actividade numa célula em comparação com as outras, ou sons sibilantes. Se, em qualquer momento, a bateria ficar demasiado quente ao toque ou surgirem sinais invulgares, DESCONNECTE O CARREGADOR IMEDIATAMENTE.

### MODO ECOLÓGICO DE POUPANÇA ENERGÉTICA QUANDO O CARREGADOR ESTÁ LIGADO À

**ALIMENTAÇÃO DE CORRENTE CA:** O conversor de corrente desliga-se/entra em modo ECO quando o carregador não está ligado a uma bateria, resultando num consumo de corrente muito reduzido, inferior a 0,5W, equivalente ao consumo de 0,012 kWh por dia. Quando uma bateria é ligada ao carregador, o consumo de corrente depende da necessidade da bateria e de se esta se encontra ligada ao veículo / circuito electrónico. Depois de a bateria ter sido carregada e de o programa de carregamento se encontrar no modo de carregamento de manutenção de longo prazo (para manter a bateria a 100% de carga) o consumo total de corrente é estimado em 0,060 kWh por dia ou menos.

As indicações LED descritas mais abaixo e os respectivos textos aparecem na ordem lógica do desenrolar do programa.



**LED #1 - Activado.** Este LED confirma a presença de alimentação AC para o carregador. A intensidade da luz é baixa durante o MODO DE POUPANÇA DE ENERGIA.

**LED #2 Polaridades invertidas** – conexões erradas na saída. Corrigir para activação.

### LED #3 CARREGAMENTO

**3.1 Recuperação da baixa tensão de 2 V :** se suministra hasta 0,8 A de corrente por impulsos para preparar a la batería a que acepte una carga normal. *Este modo es especialmente eficaz para la recuperación de baterías activadas de fábrica / baterías «de alto rendimiento» de plomo puro o baterías AGM con células ciclicas.*

Tempo de carregamento: mínimo 15 minutos, máximo 2 horas.

**3.2 CARREGAMENTO BRUTO:** uma corrente constante de 0,8Amps, no máximo, é aplicada na bateria, até uma tensão de 14,2 - 14,5 V.

**3.3. CARREGAMENTO DE OPTIMIZAÇÃO :** o modo de CARREGAMENTO DE OPTIMIZAÇÃO começa quando a tensão atinge os 14,2 - 14,5 V pela primeira vez durante a fase de CARREGAMENTO BRUTO. O circuito de controlo de corrente fornece agora impulsos de corrente durante 30 minutos para equalizar as células individuais na bateria. O nível de carregamento da bateria é verificado. Caso a bateria necessite de mais carga, o programa prolonga o carregamento de OPTIMIZAÇÃO até a um máximo de 4 horas.

**OBSERVACIÓN:** por razones de seguridad hay un límite temporal de carga general de 96 horas.



## **LED #4 - MANTENIMENTO - Testes de retenção da carga, alternando a cada meia hora com manutenção da bateria.**

**4.1 Testes de retenção da carga** - No caso de uma boa bateria capaz de permanecer acima dos 12,4V ao longo do teste de **30 minutos** \* (SEM CORRENTE DE CARREGAMENTO) o LED#4 permanece iluminado. Caso a tensão da bateria desça abaixo dos 12,4V durante o teste, o programa regressa ao passo 3.3.

**\* Primeiro teste = 12 horas. Se o tempo de carregamento foi inferior a 12 horas, o teste primeiro é prolongado até terem passado 24 horas.**

*Se os LED#3 e #4 alternam a cada 3-10 segundos, a tensão da bateria não é mantida ou que, apesar das tentativas de recuperação, não foi possível recuperar a bateria. Isto deve-se talvez a um defeito da própria bateria, como curto-circuito interno ou sulfatação total ou, no caso de uma bateria que permaneceu conectada a um veículo, poderá estar a indicar uma perda de corrente poderia assinalar uma perda de corrente sobre um feixe com anomalia, um interruptor ou contacto degradado, ou ainda a presença de acessórios que consomem corrente. Um consumo brusco como o ligar dos faróis enquanto o carregador está conectado pode também provocar uma queda de voltagem significativa. Retirar a bateria em todos os casos, voltar a conectar o OptiMate™ e recomeçar o programa. Se o mau resultado persistir, aconselha-se que leve a bateria a uma oficina de serviço profissional, que disponha de equipamento profissional para uma investigação mais completa.*

**4.2 Manutenção** – carga flutuante encontra-se disponível um limite de tensão seguro de 13,6V e até 1A para prever qualquer descarga. A bateria tira a corrente necessária para compensar as perdas e consumos. Caso a tensão da bateria desça abaixo dos 12,4V, o programa regressa ao passo 3.3.

**Manter uma bateria por períodos alargados:** O OptiMate manterá uma bateria cujo estado seja bom, em qualquer segurança durante vários meses. Pelo menos uma vez em cada duas semanas, certifique-se de que as ligações entre o carregador e a bateria estão seguras, e, no caso de baterias com tampões em cada célula, desconecte a bateria do carregador, verifique o nível de eletrólito, e, se necessário, encha as células (**com água destilada, NÃO ácido**), e volte a conectar. Quando lidar com baterias ou na zona em redor, tenha sempre o cuidado de observar os AVISOS DE SEGURANÇA descritos anteriormente.

**Tempos de carga:** O tempo necessário ao OptiMate™2, se a bateria estiver completamente descarregada mas contido em bom estado, é aproximadamente igual à capacidade da bateria em Ah serão portanto necessárias mais ou menos 60 horas para que uma bateria de 60Ah seja levada à etapa 4. As baterias em estado de descarga profunda podem levar muito mais tempo.

## **GARANTIA LIMITADA**

TecMate (International) NV, Sint-Truidensesteenweg 252, B-3300, Belgium, consente a presente garantia ao primeiro utilizador deste produto, sem possibilidade de transferibilidade. TecMate (International) NV garante este carregador durante três anos a partir da data de compra ao retalhista, contra os defeitos dos componentes ou de montagem. Se for o caso, o carregador será reparado ou substituído à discrição do fabricante. O comprador deve enviar por sua própria conta, o aparelho assim como uma prova de compra (veja "NOTA"), ao fabricante ou ao seu representante. Esta garantia limitada, torna-se nula se o aparelho for utilizado ou manipulado de forma inadequada ou se tiver sido reparado por toda outra pessoa física ou moral que o fabricante ou o seu representante. O fabricante não oferece nenhuma outra garantia que a presente, e exclui expressamente toda garantia contra danos consequenciais.

ESTA É A ÚNICA GARANTIA EXPRESSAMENTE CONSENTIDA PELO FABRICANTE. ESTE NÃO ASSUME E NÃO AUTORIZA QUEM QUER QUE SEJA A ASSUMIR OU ESTABELECEER TODA OUTRA OBRIGAÇÃO LIGADA A ESTE PRODUTO, OUTRA QUE ESTA GARANTIA LIMITADA EXPRESSAMENTE CONSENTIDA. SUAS DIREITAS ESTATUTÁRIAS NÃO SÃO AFETADAS.

NOTA: Veja [www.tecmate.com/warranty](http://www.tecmate.com/warranty) ou contatem [warranty@tecmate.com](mailto:warranty@tecmate.com)

Pode-se encontrar mais informação sobre os produtos de TecMate em [www.tecmate.com](http://www.tecmate.com).

**PT**

# Optimate 2

## 12V0.8A

### AUTOMATISCHES DIAGNOSE-LADEGERÄT FÜR 12V BLEIAKKUS VON 3Ah BIS 38Ah IN:

#### NICHT VERWENDEN FÜR NiCd, NiMH, Li-Ion ODER NICHT AUFLADBARE BATTERIEN.

Laderate: 0,8Ah/Stunde, lädt eine 38Ah Batterie in 48 Stunden.

Eingang : 100-240V ~ maximal 0,23A. Der maximale Ausgangsstrom ist 0,8A.

#### WICHTIG: LESEN SIE VOR GEBRAUCH DES LADEGERÄTS DIE FOLGENDEN ANWEISUNGEN VOLLSTÄNDIG

Dieses Gerät ist nicht dafür vorgesehen, von Personen (einschließlich Kindern) verwendet zu werden, die über beschränkte körperliche, sensorische und mentale Fähigkeiten oder mangelnder Erfahrung bzw. unzureichendem Wissen verfügen, sofern diese nicht durch eine für die Sicherheit verantwortliche Person zur korrekten Verwendung des Geräts eingewiesen wurden oder das Gerät ohne Aufsicht bedienen. Kinder, die sich in der Nähe des Geräts befinden, sollten beaufsichtigt werden, um sicherzustellen, dass diese nicht mit dem Gerät spielen.

DE

**SICHERHEITSWARNUNG und HINWEISE:** Batterien sondern EXPLOSIVE GASE ab - halten Sie Flammen oder Funken von Batterien fern. Klemmen Sie die Wechselstromversorgung ab, bevor Sie Gleichstrom-/Batterieverbindungen herstellen oder unterbrechen. Batteriesäure ist stark ätzend. Schutzkleidung und Schutzbrille tragen und Kontakt vermeiden. Bei versehentlicher Berührung sofort mit Wasser und Seife waschen. Prüfen, ob die Batteriepole lose sind, wenn ja, die Batterie von einem Fachmann überprüfen lassen. Korrodierte Batteriepole mit einer Kupferdrahtbürste reinigen; verschmutzte oder fettige Pole mit einem in Reinigungsmittel befeuchteten Tuch reinigen. Ladegerät nur benutzen, wenn die Zuleitungen und Batterieklappen in einwandfreiem, unbeschädigten Zustand sind. Wenn das Eingangskabel beschädigt ist, muss es unverzüglich vom Hersteller, seinem ermächtigten Serviceagenten oder einer qualifizierten Werkstatt ersetzt werden, um Gefahren zu vermeiden. Schützen Sie Ihr Ladegerät bei Benutzung und Lagerung vor Säure und Säuredämpfen, sowie vor Feuchtigkeit. Schäden durch Korrosion, Oxidation oder interne Kurzschlüsse sind nicht durch die Garantie abgedeckt. Stellen Sie das Ladegerät während des Ladevorgangs von der Batterie entfernt auf, um Kontamination oder Beschädigung durch Säure oder Säuredämpfe zu vermeiden. Bei Verwendung in horizontaler Ausrichtung muss das Ladegerät auf eine feste, ebene Fläche gestellt werden, jedoch NICHT auf Kunststoff, Textilien oder Leder. Bringen Sie mittels der Befestigungsöffnungen im Gehäuseboden das Ladegerät an einer geeigneten, stabilen senkrechten Fläche an.

**AUSGESETZTSEIN ZU DEN FLÜSSIGKEITEN:** Dieses Ladegerät ist konstruiert, um Ausgesetztsein zu den Flüssigkeiten, die versehentlich auf das Gehäuse von oben verschüttet werden oder gespritzt sind, oder zum Nieselregen, zu widerstehen. Jedoch ist verlängertes Ausgesetztsein nicht ratsam und längere Lebensdauer wird erreicht, indem man solches Ausgesetztsein minimiert. Ausfall des Gerätes wegen der Oxidation, die aus dem etwaigen Durchgriff der Flüssigkeit in die elektronischen Bauelemente, Verbindungsstücke oder Stecker resultiert, wird nicht durch die Garantie abgedeckt.

**BATTERIEANSCHLÜSSE:** 2 austauschbare Anschluss-Sets sind erhältlich, mit dem Ladegerät geliefert wird ein Satz Batterieklappen, um die Batterie außerhalb des Fahrzeugs zu laden, das optionale Anschluss-Set ist mit Metallösen zum permanenten Anschließen an die Batteriepole versehen sowie mit Schutzkappen am Stecker zum Anschließen des Ausgangskabels des Ladegeräts. Dieses Anschluss-Set erlaubt das problemlose und sichere Anschließen des Ladegeräts, wenn die Batterie im Fahrzeug bleiben soll. Die abnehmbare Schutzkappe schützt den Anschluss vor Schmutz und Feuchtigkeit, wenn das Ladegerät nicht angeschlossen ist. Wenden Sie sich an einen Fachmann, um die Metallösen an den Batteriepolen befestigen zu lassen. Sichern Sie den Anschluss mit der Schutzkappe, sodass er nicht in bewegende Teile des Fahrzeugs gerät und das Kabel nicht eingeklemmt oder durch scharfe Kanten beschädigt werden kann. Die Leitungssicherung im Ösenanschluss schützt die Batterie vor Kurzschlüssen zwischen Plus- und Minusleiter. Ersetzen Sie durchgebrannte Sicherungen nur durch gleiche neue 15A-Sicherungen.

#### ANSCHLUSS DES LADEGERÄTS AN DIE BATTERIE

1. Die AC-Stromversorgung muss unterbrochen werden, bevor Sie das Ladegerät an DC/die Batterie anschließen bzw. die Verbindung trennen.
2. Wenn Sie die Batterie im Fahrzeug belassen und mithilfe der Batterieklappen aufladen möchten, müssen Sie zunächst sicherstellen, dass die Klappen sicher in einem Abstand zu den Kabeln, Metallrohren oder dem Fahrgestell positioniert werden können. Befolgen Sie beim Anschluss die nachstehende Reihenfolge: Schließen Sie zunächst eine Klemme an den Batterieanschluss, der nicht mit dem Fahrgestell verbunden ist (in der Regel der Pluspol) an. Schließen Sie anschließend die andere Klemme (in der Regel der Minuspol) an das Fahrgestell, in einem weiten Abstand zur Batterie und Benzinleitung, an. Beim Abklemmen ist die entgegengesetzte Reihenfolgen einzuhalten.

3. Wenn Sie die Batterie außerhalb des Fahrzeuges über die Batterieklappen aufladen, müssen Sie für eine ausreichende Belüftung sorgen. Schließen Sie das Ladegerät an die Batterie an: ROTE Klemme an PLUSPOL (POS, P oder +) und SCHWARZE Klemme an Minuspol (NEG, N oder -). Stellen Sie sicher, dass die Klemmen fest sitzen. Ein guter Kontakt ist wichtig.
4. **Eine tiefentladene (und möglicherweise sulfatierte) Batterie ist vor einem Wiederbelebungsversuch auszubauen und zu überprüfen.** Überprüfen Sie die Batterie auf mechanische Defekte wie Ausbeulungen oder Risse im Gehäuse oder auf ein Auslaufen der Säure. Wenn die Batterie über Einfüllverschlüsse verfügt und die Platten zwischen den Zellen von außen erkennbar sind, müssen Sie sicherstellen, dass alle Zellen gleich aussehen (beispielsweise das weiße Material zwischen den Platten, der Abstand der Platten usw.). Laden Sie die Batterie nicht auf, wenn mechanische Defekte erkennbar sind. Lassen Sie die Batterie in diesem Fall von einem Fachmann untersuchen.
5. **Wenn es sich um eine neue Batterie handelt,** lesen Sie vor dem Anschluss des Ladegeräts die Sicherheitshinweise und Betriebsanweisungen des Herstellers genau durch. Befolgen Sie gegebenenfalls die Anweisungen zum Auffüllen der Säure genau.

## BENUTZUNG DES OPTIMATE 2: LADUNGSPROZEDUR

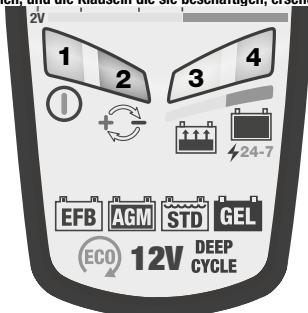
Aus Sicherheitsgründen wird der Ausgang des OptiMate nur aktiviert, wenn eine Batterie mit mindestens 2V angeschlossen wird.

**SEHR STARK ENTLADENE, VERNACHLÄSSIGTE BATTERIEN:** Anweisungen die bei relativ kleinen Batterien, etwa von Motorrädern, Rasentraktoren, Jet-Skis, Schneemobilen und ähnlichen Fahrzeugen besonders wichtig sind: Bei einer Batterie, die sich über einen längeren Zeitraum im tiefentladenen Zustand befand, können eine oder mehrere Zellen permanent beschädigt sein. Solche Batterien können sich beim Laden übermäßig erwärmen. Batterien, die so heiß werden, dass eine Berührung unangenehm ist, dürfen nicht weiter geladen werden.

Überwachen Sie die Batterietemperatur während der ersten Stunde, danach stündlich. Achten Sie auf ungewöhnliche Anzeichen, etwa Blasenbildung oder Austreten von Elektrolyt, erhöhte Aktivität in einer Zelle verglichen mit anderen oder Zischgeräusche. Sollte sich zu irgendeinem Zeitpunkt die Batterie ungewöhnlich heiß anfühlen oder andere ungewöhnliche Anzeichen aufweisen, KLEMMEN SIE DAS LADEGERÄT SOFORT AB.

**SPARMODUS WENN DAS LADEGERÄT AN DIE WECHSELSTROMVERSORGUNG ANGESCHLOSSEN IST:** Der Stromrichter ist deaktiviert und wechselt in den Stromsparmmodus, wenn das Ladegerät nicht an die Batterie angeschlossen ist, sodass eine Leistungsaufnahme von weniger als 0,5 W pro Tag eine Leistungsaufnahme von 0,012 kWh pro Tag vorliegt. Wenn eine Batterie an das Ladegerät angeschlossen ist, wird die Leistungsaufnahme vom Verbrauch der Batterie, des angeschlossenen Fahrzeuges und der elektronischen Verbraucher bestimmt. Wenn die Batterie aufgeladen ist und sich das Ladeprogramm im Wartungslademodus befindet (um die vollständige Ladung aufrechtzuerhalten), beträgt die gesamte Leistungsaufnahme voraussichtlich höchstens 0,060 kWh pro Tag.

Die LED-Dioden, die sich unten beziehen, und die Klauseln die sie beschäftigen, erscheinen der Programmreihfolge nach.



**LED #1 - Power on.** Zeigt an, dass das Ladegerät mit Wechselstrom versorgt wird. Geringe Lichtstärke im ENERGIESPARMODUS.

**LED #2 zeigt falsche Ausgangsanschlüsse an.** Anschlüsse tauschen, um den Ausgang zu aktivieren.

**LED #3 LADEN**

- 3.1 **IMPULS-Wiederherstellung** : Strom bis zu 0,8 A wird in Impulsen abgegeben, um die Batterie mit niedriger Spannung auf eine normale Ladung vorzubereiten. *Dieser Modus ist vor allem für die Wiederherstellung werksseitig aktivierter/von „Hochleistungsbatterien“ aus Blei oder AGM-Batterien mit zyklischen Zellen zu empfehlen.*
- 3.2 **LADEN: Die GRUNDLADEPHASE** versorgt die Batterie mit einem Konstantstrom von rund max. 0,8 Ampere, bis zu einer Spannung von 14,2 - 14,5V.
- 3.3 **OPTIMIERUNG** - Der Modus OPTIMIERUNGSLADUNG beginnt, wenn erstmalig während der HAUPTLADUNG die Spannung von 14,2 - 14,5V erreicht wurde. Die Stromregelung liefert jetzt für 30 Minuten Stromimpulse, um die

einzelnen Zellen einer Batterie miteinander auszugleichen. Der Ladezustand der Batterie wird überprüft. Muss die Batterie weiter geladen werden, fährt das Programm bis zu 4 Stunden mit der OPTIMIERUNGSLADUNG fort.

**HINWEIS:** Aus Sicherheitsgründen ist die Ladezeit auf 96 Stunden begrenzt.

#### **LED #4 - Das moderne OptiMate Wartungsprogramm - Spannungserhaltungstest und Erhaltungsladung erfolgen jeweils abwechselnd alle halbe Stunde.**

**4.1 SPANNUNGSERHALTUNGSTEST :** Eine Batterie sollte während des **30-minütigen\*** Tests einen Ladestand von über 12,4 V behalten - KEIN LADESTROM - bleibt LED #4 eingeschaltet. Fällt die Batteriespannung während des Tests auf unter 12,4 V zurück, wechselt das Programm erneut zu Schritt 3.3.

**\* Erster Test = 12 Stunden. Wenn die Ladung weniger als 12 Stunden lang erfolgte, geht der Test weiter, bis 24 Stunden vergangen sind.**

*Leuchten die LEDs # 3 und # 4 alle 2-3 Sekunden abwechselnd auf, die Batteriespannung nach der Aufladung nicht aufrechterhalten werden kann, oder dass ein Aufladen der Batterie nicht mehr möglich ist. Dies kann auf einen Defekt in der Batterie selbst, etwa auf eine kurzgeschlossene Zelle oder völlige Sulfatierung zurückzuführen sein, oder, im Falle einer Batterie, die noch an die Fahrzeugelektrik angeschlossen ist, dies kann auf einen Verlust von Strom hindeuten durch eine defekte Verkabelung oder einen defekten Schalter oder Kontakt oder einen Stromverbraucher in der Fahrzeugelektrik hin. Bauen Sie grundsätzlich die Batterie aus dem Fahrzeug aus, schließen Sie den OptiMate™ wieder an und lassen Sie das Programm erneut durchlaufen. Wenn das Ergebnis weiterhin schlecht ist, sollte die Batterie von einer professionellen Service-Werkstatt mit professioneller Ausrüstung überprüft werden, um so eine gründlichere Untersuchung durchzuführen.*

**4.2 WARTUNGSLADUNG:**— float-Ladung bei sicherem Spannungslimit, von 13,6 V und eine Stromstärke bis zu 0,8A sind möglich, um der Selbstentladung entgegenzuwirken. Die Batterie kann nach Bedarf Strom aufnehmen, um kleinere Belastungen zu verkraften und der Selbstentladung entgegenzuwirken. Fällt die Batteriespannung auf unter 12,4 V zurück, wechselt das Programm erneut zu Schritt 3.3.

**DE**

**Wartung einer Batterie über einen längeren Zeitraum:** Das OptiMate wartet monatelang sicher, eine Batterie, deren grundlegender Zustand gut ist. Überprüfen Sie mindestens einmal alle zwei Wochen, ob die Verbindungen zwischen Ladegerät und Batterie sicher sind, klemmen Sie bei Batterien mit Verschlussdeckeln die Batterie vom Ladegerät ab, prüfen Sie in den einzelnen Zellen den Elektrolytstand, füllen Sie die Zellen bei Bedarf auf (**mit destilliertem Wasser, NICHT mit Säure**), und schließen Sie die Batterie wieder an. Beachten Sie beim Umgang mit Batterien oder bei Arbeiten in ihrer Nähe immer sorgfältig die oben genannten SICHERHEITSWARNUNGEN.

**Ladedauer:** Die Zeit, die der OptiMate™2 benötigt, um eine leere, aber nicht stark entladene und ansonsten unbeschädigte Batterie aufzuladen, entspricht ungefähr der Ah-Angabe der Batterie, also dürfte bei einer 10Ah-Batterie das Programm bis zur Schritt 4 nicht länger als 10 Stunden dauern. Bei tiefentladenen Batterien kann der Prozess erheblich länger dauern.

## **BEGRENZTE GARANTIE**

TecMate (International) N.V., Sint-Truidensesteenweg 252, B-3300 Tienen, Belgien, gewährt dem ursprünglichen Käufer beim Kauf dieses Produktes diese begrenzte Garantie. Diese begrenzte Garantie ist nicht übertragbar. TecMate (International) übernimmt für drei Jahre ab Verkaufsdatum die Garantie für dieses Batterie-ladegerät hinsichtlich Material- oder Verarbeitungsfehlern. Sollten solche Fehler auftreten, wird das Gerät nach Ermeßen des Herstellers repariert oder ersetzt. Es ist Sache des Käufers, das Gerät zusammen mit dem Kaufnachweis (siehe "BEACHTUNG") an den Hersteller oder seinen ermächtigten Vertreter einzuschicken, wobei der Käufer die Transport- oder Portokosten trägt. Diese begrenzte Garantie ist nichtig, wenn das Produkt mißbräuchlich verwendet, unsachgemäß behandelt oder nicht vom Werk oder einem ermächtigten Vertreter repariert wurde. Der Hersteller gewährt außer dieser begrenzten Garantie keinerlei Garantie und schließt ausdrücklich jede implizite Gewährleistung, einschließlich jeglicher Garantie gegen Folgeschäden aus.

DIES IST DIE EINZIGE AUSDRÜCKLICHE BEGRENZTE GARANTIE. UND DER HERSTELLER ÜBERNIMMT KEINERLEI VERPFLICHTUNG GEGENÜBER DEM PRODUKT. IHRE GESETZLICHEN RECHTE SIND NICHT BETROFFEN.

BEACHTUNG: Siehe [www.tecmate.com/warranty](http://www.tecmate.com/warranty) oder kontaktieren Sie [warranty@tecmate.com](mailto:warranty@tecmate.com)

Mehr Informationen über TecMate Produkten können bei [www.tecmate.com](http://www.tecmate.com) gefunden werden.

# Optimate 2

## (12V0.8A)

### AUTOMATISCHE DIAGNOSTISCHE LADER VOOR 12V LOOD-ZUURACCU'S VAN 3Ah - 38Ah.

### NIET GEBRUIKEN VOOR NiCd, NiMH, Li-Ion OF NIET-OPLAADBARE DROGE CELBATTERIJEN.

#### **BELANGRIJK: LEES DE ONDERSTAANDE INSTRUCTIES ALVORENS DE LADER TE GEBRUIKEN**

Dit apparaat is niet bedoeld voor gebruik door personen (ook kinderen) met fysische, zintuiglijke of mentale beperkingen, of gebrek aan ervaring of kennis, tenzij onder toezicht of met begeleiding betreffende het gebruik van het apparaat door een persoon die instaat voor hun veiligheid. Men dient erop toe te zien dat kinderen niet spelen met het apparaat.

**VEILIGHEIDSWAARSCHUWING EN OPMERKINGEN:** Accu's geven **EXPLOSIEVE GASSEN** vrij - voorkom vlammen of vonken in de buurt van accu's.

Ontkoppel de wisselstroomvoeding alvorens de verbinding tussen de accu en de gelijkstroom te maken of te verbreken. Accuzuur is uiterst corrosief. Draag beschermende kledij en oogbescherming en vermijd contact. In geval van contact, onmiddellijk wassen met zeep en water. Controleer of de accu goed stevig in elkaar zit, laat de accu anders door een professional nakijken. Indien de accu gecorrodeerd is, moet u dit schoonmaken met een koperen borstel; vet of vuil verwijdert u met een licht vochtige vod die in detergent werd gedrenkt. Gebruik de lader alleen wanneer de leidingen en koppelstukken in goede en onbeschadigde toestand verkeren. Indien de voedingskabel beschadigd is, moet u deze onmiddellijk door de fabrikant, diens gemachtigde vertegenwoordiger of een erkend atelier laten vervangen om gevaar te vermijden. Bescherm uw lader tegen zuren en zure dampen en tegen vochtige omstandigheden tijdens gebruik en opslag. Schade als gevolg van corrosie, oxidatie of interne kortsluiting wordt niet gedekt door de garantie. Zet de lader tijdens het laden weg van de accu om contaminatie te vermijden of blootstelling aan zuren of zure dampen. Indien de lader horizontaal wordt gebruikt, moet u hem op een hard en effen oppervlak plaatsen maar NIET op plastic, textiel of leer. Gebruik de bevestigingsgaten in de behuizing om de lader te bevestigen op een geschikt en stevig verticaal oppervlak.

**BLOOTSTELLING AAN VLOEISTOFFEN:** De lader is ontworpen om oppervlakkige blootstelling aan van bovenaf per ongeluk gemorste vloeistoffen of lichte regenval te kunnen weerstaan. Het is niet aangeraden om de lader langere tijd hieraan bloot te stellen. De lader beschikt over een langere levensduur indien u deze blootstelling tot een minimum kan beperken. Het falen van de lader door oxidatie, als gevolg van mogelijke penetratie door vloeistoffen in de elektronische componenten, verbindingstukken of stekker is niet gedekt door de garantie.

**AANSLUITING VAN DE ACCU:** Er worden 2 onderling vervangbare aansluitsets geleverd, één heeft krokodilklampen voor het laden van de accu buiten het voertuig, de andere heeft metalen klepjes met ogen voor permanente aansluiting op de accu en een afsluitbare waterdichte kap op de connector die verbonden wordt met de lader. Dankzij deze set kunt u de lader gemakkelijk en veilig aansluiten om de accu op het voertuig te houden. De herbruikbare waterdichte kap is bedoeld om de connector te beschermen tegen vuil en vocht wanneer de lader niet is aangesloten. Raadpleeg een professionele onderhoudstechnicus voor hulp bij het bevestigen van de metalen oogjes. Zet de connector vast met de waterdichte kap zodat hij geen bewegende delen van het voertuig kan belemmeren en dat de kabel niet geklemd kan raken of beschadigd wordt door scherpe randen. De zekering in de verbindingssset beschermt de accu tegen toevallige kortsluiting doorheen positieve en negatieve geleiders. Vervang gesmolten zekeringen enkel door een gelijkwaardige nieuwe zekering van 15A.

#### **DE LADER AANSLUITEN OP DE ACCU**

1. De stekker van de lader mag niet in het stopcontact zitten, wanneer gelijkstroom-/accuverbindingen gemaakt of verbroken worden.
2. Indien u een accu in een voertuig met accuklemmen gaat opladen, dient u, voordat u de lader aansluit, te controleren of de accuklemmen veilig en op voldoende afstand van de omringende bedrading, metalen buizen en het chassis geplaatst kunnen worden. Sluit de lader aan in deze volgorde: Sluit eerst de pool van de accu aan die niet verbonden is met het chassis (meestal positief), sluit daarna de andere accuklem aan (meestal negatief) op het chassis op ruime afstand van de accu en de brandstofleiding. Ontkoppel de lader in omgekeerde volgorde.
3. Plaats de accu in een goed geventileerde ruimte wanneer u een accu met accuklemmen buiten het voertuig gaat opladen. De lader aansluiten op de accu: RODE klem op de POSITIEVE (POS, P of +) pool en ZWARTE klem op de NEGATIEVE (NEG, N of -) pool. Zorg dat de klemmen stevig en veilig zijn bevestigd. Een goed contact is belangrijk.
4. Als de accu zwaar ontladen (en mogelijk gesulfateerd) is, dient de accu uit het voertuig verwijderd en gecontroleerd te

NL

**worden voordat er een poging ondernomen wordt om de accu te herstellen.** Controleer de accu visueel op mechanische defecten zoals vormverwijding, gescheurde behuizing of tekenen van elektrolytlekkage. Als de accu vuldoppen heeft en de platen in de cellen vanaf de buitenzijde zichtbaar zijn, kunt u voorzichtig proberen vast te stellen of bepaalde cellen afwijken van andere (bijvoorbeeld wit materiaal tussen de platen, platen die elkaar raken). Probeer de accu niet op te laden wanneer u mechanische defecten hebt vastgesteld, maar laat de accu nakijken door een vakman.

5. Lees de veiligheidsinstructies en de gebruiksaanwijzing van de fabrikant zorgvuldig door voordat u de lader aansluit op **een nieuwe accu**. Volg, indien van toepassing, de instructies betreffende het vullen van zuur zorgvuldig en nauwkeurig op.

## GEBRUIK VAN DE OPTIMATE 2: BEGINNEN MET LADEN

Omwille van de veiligheid zal de uitgang van de OptiMate enkel geactiveerd worden indien er een accu met nog minstens 2V aan wordt gekoppeld.

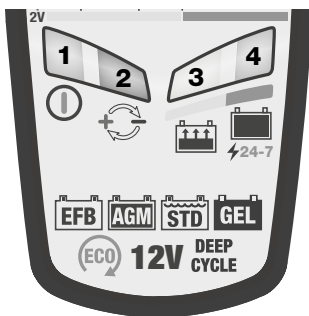
**LEGE VERWAARLOOSDE ACCU'S:** Het volgende grondig lezen, in het bijzonder voor relatief kleine accu's voor gebruik op bromfietsen, grasmaaiers, jetski's, sneeuwscooters en dergelijke: Een accu die lange tijd diep ontladen blijft, kan permanente schade ontwikkelen in één of meer cellen. Deze accu's kunnen oververhitten tijdens het laden. Stop het laden onmiddellijk indien de accu onaangenaam heet aanvoelt.

Controleer de temperatuur van de accu tijdens het eerste uur en daarna om het uur. Kijk uit voor ongewone tekenen zoals borrelend of lekkend elektrolyt, een verhoogde activiteit in één cel in vergelijking met andere of een sissend geluid. Indien de accu onaangenaam warm aanvoelt of als u ongewone zaken ziet, ONTKOPPEL DE LADER DAN ONMIDDELLIJK.

### ECO-STROOMBESPARINGSMODUS WANNEER DE LADER OP HET ELEKTRICITEITSNET IS

**AANGESLOTEN:** De vermogensomzetter wordt in de ECO-modus gezet wanneer de lader niet is aangesloten op een accu. Dit resulteert in een zeer lage stroomopname van minder dan 0,5W, wat overeenkomt met een stroomverbruik van 0,012 kWh per dag. Als er een accu is aangesloten op de lader is het stroomverbruik afhankelijk van de stroombehoefte van de accu en het aangesloten voertuig / de elektronische circuits. Wanneer de accu opgeladen is en het laadprogramma in de langetermijnonderhoudslaadmodus staat (om de accu 100% vol te houden) wordt het totale stroomverbruik geschat op 0,060 kWh per dag of minder.

De LEDs hieronder en de desbetreffende paragrafen zijn in de volgorde van het laadprogramma genummerd.



**LED #1 – Contact aan.** Deze LED bevestigt de AC stroomtoevoer naar de lader. Lichtintensiteit is laag gedurende de ECO-stroombesparingsmodus

**LED #2 toont omgekeerde polariteit - foute aansluiting. Keer om voor correcte aansluiting.**

**LED #3 - Laden**

**3.1. PULS-herstel:** er wordt een stroom van maximaal 0,8 A geleverd in pulsen, om de accu met lage spanning voor te bereiden op de ontvangst van een normale laadstroom. *Deze modus is met name effectief voor het herstellen van in de fabriek geactiveerde/"hoogwaardige" AGM lood- of cyclische accu's.*

**Laadtijd:** minimaal 15 minuten, maximaal 2 uur.

**3.2. VOLUME-LADING:** De BULK-LAADfase levert een constante stroom van ongeveer 0,8Ampère max. aan de accu, met een spanning tot 14,2 - 14,5V.

**3.3. Lading OPTIMALISEREN** - De modus 'LADING OPTIMALISEREN' start wanneer de spanning tijdens de VOLUME-lading voor de eerste keer 14,2 - 14,5V bedraagt. Het stroombewakingscircuit levert nu gedurende 30 minuten pulsen om de afzonderlijke cellen in de accu te vereffenen. Het laadniveau van de accu wordt geveerfied. Wanneer de accu nog verder moet worden geladen, breidt het programma de modus 'Lading

OPTIMALISEREN' uit tot maximaal 4 uur.

**Nota** Om veiligheidsredenen is de totale laadtijd beperkt tot 96 uur.

#### **LED #4 : Het geavanceerde OptiMate-onderhoudsprogramma: Test van het behoud van lading elk half uur afwisselend met accu onderhoud.**

**4.1 TEST :** In geval van een goede accu die boven 12,4 V blijft tijdens de gehele **30-minutentest\*** (GEEN LAADSTROOM), blijft LED #4 branden. Wanneer de accuspanning tijdens de test lager wordt dan 12,4 V keert het programma terug naar stap 3.3.

**\* Eerste test = 12 uur. Is de laadcyclus minder bedraagt dan 12 uur zal de eerste test verlengd worden tot er 24 uren verstreken zijn.**

*Wanneer LED #3 en #4 elkaar om de 3-10 seconden afwisselen, betekent dat de accuspanning na het laden niet wordt vastgehouden of dat ondanks verschillende recuperatiepogingen de accu niet kon worden gerecupereerd. Oorzaak kan een kortsluiting in de accu of een totale sulfatie zijn. Als de accu nog aangesloten is op het voertuig, kan verlies van stroom wijzen op een stroomverlies in de bedrading, een slecht contact of stroomvragende accessoires. Verwijder steeds de accu uit het voertuig, sluit de OptiMate™ opnieuw aan en laat het programma opnieuw zijn werk doen. Als het resultaat nog niet beter is, wordt aangeraden de accu naar een professionele servicewerkplaats met professioneel materiaal te brengen voor een grondiger onderzoek.*

**4.2 Onderhoud** – vlottend laden bij een veilig gelimiteerde spanning van 13,6V en tot 0,8A wordt beschikbaar gesteld om zelfontlading te vermijden. De accu kan nu stroom opnemen om zelfontlading te vermijden en om eventueel een laag verbruik te ondersteunen. Wanneer de accuspanning lager wordt dan 12,4 V keert het programma terug naar stap 3.3.

**Een accu voor lange periodes onderhouden:** De OptiMate zal een niet-defekte accu maandenlang veilig onderhouden. Minstens om de twee weken moet u controleren of de verbindingen tussen de lader en de accu veilig zijn. In geval van accu's met vuldoppen op elke cel moet u de accu loskoppelen van de lader, het elektrolytenpeil controleren en indien nodig de cellen bijvullen (**met gedestilleerd water, NIET met zuur**). Sluit daarna opnieuw aan. Bij het hanteren van accu's of het werken in de buurt ervan moet u altijd de bovenstaande VEILIGHEIDSVoorzorgen naleven.

**Laadtijd:** De tijd die de OptiMate™3 nodig heeft voor het volledig laden van een lege, maar niet diep ontladen en/of beschadigde accu, ongeveer vergelijkbaar met het aantal Ah van de accu. Een 10Ah accu zou niet meer dan 10 uur nodig mogen hebben om tot de **stap 3** over te gaan. Diep ontladen accu's zullen meer tijd nodig hebben.

NL

## **BEPERKTE GARANTIE**

TecMate (International) SA, Sint-Truidensesteenweg 252, B-3300 Tienen, België, staat deze beperkte garantie toe aan elke eerste koper van dit toestel. Deze beperkte garantie gaat in op de dag van aankoop en is niet overdraagbaar. De drie jaar geldige garantie aangeboden door TecMate (International) dekt alle erkende gebreken en arbeidskosten. Indien de lader defect blijkt te zijn tengevolge van een constructiefout, zal de klant het toestel altijd vooraf en op eigen kosten terugsturen naar de fabrikant of naar de nationale officiële verdeler, samen met een kopij van de aankoopfactuur (zie "NOTITIE"). In zulke gevallen, zal de eenheid ter keuze van de fabrikant worden hersteld of worden vervangen. Onkosten tengevolge van een ongeval, slordigheid, kwaadwilligheid, misbruik, niet conform gebruik volgens de aanwijzingen van de fabrikant, of herstellingen gedaan door door TecMate niet-erkende verdelers, zijn niet gedekt door de garantie.

DE BEPERKTE GARANTIE SLUIT UITDRUKKELIJK ALLE VERDERE VERANTWOORDELIJKHEID UIT MET BETREKKING TOT EVENTUELE SCHADEVERGOEDINGEN VAN WELKE AARD DAN OOK. UW STATUTAIRE RECHTEN WORDEN NIET BEÏNVLOED.

NOTITIE: Zie [www.tecmate.com/warranty](http://www.tecmate.com/warranty) of contacteer [warranty@tecmate.com](mailto:warranty@tecmate.com).

Meer informatie over TecMate producten kan op [www.tecmate.com](http://www.tecmate.com) worden gevonden.

# Optimate 2

## 12V0.8A

### CARICATORE AUTODIAGNOSTICO PER BATTERIE 12V PIOMBO-ACIDO DA 3Ah - 38Ah.

**NON IDONEO PER BATTERIE NiCd, NiMH, Li-Ion O NON RICARICABILI.**

#### **IMPORTANTE: LEGGERE ATTENTAMENTE LE SEGUENTI ISTRUZIONI PRIMA DI UTILIZZARE IL CARICATORE**

Questo dispositivo non è destinato all'uso da parte di persone (tra cui i bambini) con ridotte capacità mentali, sensoriali o fisiche oppure con una carenza in esperienza e conoscenza, salvo supervisione o istruzioni relative all'uso del dispositivo da parte di una persona responsabile della loro sicurezza. I bambini devono essere sorvegliati per evitare che giochino con il dispositivo.

**AVVERTENZE e NOTE DI SICUREZZA:** Le batterie emettono GAS ESPLOSIVI – evitare di produrre fiamme o scintille vicino alle batterie. Scollegare la corrente CA prima di effettuare connessioni CC/batteria. L'acido delle batterie è estremamente corrosivo. Indossare indumenti e occhiali di protezione ed evitare il contatto diretto. In caso di contatto accidentale, lavarsi immediatamente con acqua e sapone. Verificare che i poli non siano allentati; in caso contrario portare la batteria da un professionista. Qualora i poli fossero corrosi, pulirli con uno spazzolino a fili di rame; rimuovere il grasso e lo sporco con un panno inumidito con detergente. Azionare il caricatore solo se i conduttori in uscita e in entrata e i connettori sono in buone condizioni e non presentano danni. Qualora il cavo di alimentazione fosse danneggiato, è essenziale farlo sostituire immediatamente dal fabbricante, da un suo agente di servizio autorizzato o da un'officina qualificata, onde evitare possibili pericoli. Proteggere il caricatore da acidi e vapori acidi e dall'umidità sia durante l'uso sia al momento di riporio. I danni dovuti alla corrosione, ossidazione o corto circuito dei circuiti elettrici interno non sono coperti da garanzia. Distanziare il caricatore dalla batteria durante la carica per evitare la contaminazione o esposizione agli acidi e vapori acidi. Se utilizzato in posizione orizzontale, posizionare il caricatore su una superficie dura e piatta, ma NON su plastica, tessuto o pelle. Servirsi degli appositi fori praticati nella base di appoggio per attaccare il caricatore a una solida e adatta superficie verticale.

**ESPOSIZIONE AI LIQUIDI:** Se sistemato in posizione orizzontale su una superficie piatta, questo caricatore è progettato in modo da prevenire danni al circuito elettrico in caso di esposizione a liquidi versati o spruzzati accidentalmente dall'alto. I guasti del caricatore in seguito a ossidazione del pannello di controllo elettronico dovuta a un'eventuale penetrazione di liquido nei componenti elettronici non sono coperti da garanzia. I connettori o le prese non vanno mai esposti alla pioggia o alla neve.

**COLLEGAMENTI:** Sono disponibili 2 set di collegamenti intercambiabili, uno a morsetti fornito con il caricatore per caricare la batteria fuori dal veicolo, l'altro in opzione con occhielli in metallo per la connessione permanente ai poli, e un tappo a tenuta stagna richiudibile sul connettore di collegamento al caricatore. Questo set permette un facile e sicuro collegamento del caricatore per la manutenzione della batteria senza rimozione dal veicolo. Il tappo a tenuta stagna richiudibile è progettato per proteggere il connettore dalla sporcizia e dall'umidità quando il caricatore non è collegato. Consultare un professionista per il collegamento degli occhielli metallici ai poli. Assicurare il connettore al tappo a tenuta stagna per evitare che possa interferire con parti smovibili del veicolo o che il cavo sia pizzicato o danneggiato da bordi taglienti. Il fusibile in linea nel set di collegamento a occhielli protegge la batteria da cortocircuiti accidentali fra i conduttori positivo e negativo. Sostituire i fusibili bruciati solo con fusibili nuovi similari da 15A.

#### **CONNESSIONE DEL CARICABATTERIE ALLA BATTERIA**

1. Scollegare l'alimentazione CA prima di effettuare o di eliminare delle connessioni alla batteria/CC.
2. Se si carica la batteria del veicolo con i morsetti della batteria, prima di effettuare le connessioni verificare che i morsetti della batteria possano essere posizionati in modo sicuro e protetto, distanti da cavi e tubi metallici circostanti o dal telaio. Eseguire le connessioni procedendo come segue: collegare innanzitutto il terminale della batteria non collegato al telaio (solitamente positivo), quindi collegare l'altro morsetto della batteria (solitamente negativo) al telaio, mantenendo le distanze dalla batteria e dalla linea del combustibile. Scollegare sempre nella sequenza contraria.
3. Quando si carica una batteria smontata dal veicolo utilizzando i morsetti della batteria, posizionare quest'ultima in una zona ben ventilata. Collegare il caricabatterie alla batteria: morsetto ROSSO a terminale POSITIVO (POS, P o +) e morsetto NERO a terminale NEGATIVO (NEG, N o -). Verificare che le connessioni siano salde e sicure. Un buon contatto è fondamentale.
4. **Se la batteria è molto scarica (e probabilmente soffattizzata), rimuoverla dal veicolo e ispezionarla prima di collegare il caricabatterie per effettuare un tentativo di recupero.** Effettuare un'ispezione visiva della batteria per rilevare la presenza di eventuali difetti meccanici, quali una scatola curvata o incrinata, oppure segni di perdite di elettroliti. Se la batteria presenta tappi per riempimento e le placche nelle celle sono visibili dall'esterno, esaminare attentamente la batteria per cercare di stabilire se alcune celle hanno un aspetto diverso dalle altre (ad esempio, se presentano del materiale bianco tra le placche o se le placche sono in contatto tra loro). Qualora vengano rilevati difetti meccanici, non cercare di ricaricare le batterie, ma sottoporle a una verifica da parte di esperti.
5. **Se la batteria è nuova,** prima di procedere alla connessione del caricabatterie, leggere attentamente le istruzioni di sicurezza e di



funzionamento del produttore della batteria. Ove necessario, attenersi scrupolosamente alle istruzioni di riempimento di acido.

## USO DI OPTIMATE 2: INIZIO DI CARICA

Per motivi di sicurezza, OptiMate attiva la carica solo se collegato a una batteria che conserva almeno 2V.

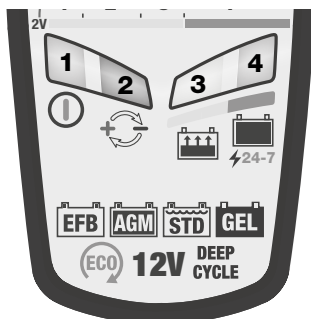
**BATTERIE ESTREMAMENTE SCARICHE / TRASCURATE:** Prestare particolare attenzione a quanto segue, particolarmente importante per batterie relativamente piccole come quelle utilizzate nei motocicli, trattorini, jet-ski, snowmobile e simili: Una batteria lasciata molto scarica per un lungo periodo può sviluppare danni permanenti in una o più celle. Tali batterie potrebbero surriscaldarsi sotto carica ad alta tensione. Arrestare immediatamente il caricamento di qualsiasi batteria che risulti surriscaldata al tatto.

Monitorare la temperatura della batteria durante la prima ora, e a ogni ora successiva. Fare attenzione a segnali insoliti: bolle o perdita di elettrolite, attività più intensa in una cella rispetto alle altre, sibili. In qualsiasi momento, se la batteria risulta troppo calda al tatto o se si notano segnali insoliti, **SCOLLEGARE IMMEDIATAMENTE IL CARICATORE.**

### MODALITÀ ECOLOGICA DI RISPARMIO ENERGETICO QUANDO IL CARICABATTERIE È COLLEGATO ALL'ALIMENTAZIONE CA:

Il convertitore di alimentazione viene spento spostandolo sulla modalità ECO quando il caricabatterie non è collegato ad alcuna batteria e consente un assorbimento di alimentazione molto limitato, inferiore a 0,5W, pari a un consumo energetico di 0,012 kWh al giorno. Quando una batteria viene collegata al caricabatterie, il consumo energetico dipende dalla domanda di corrente elettrica della batteria e della circuiteria elettronica/del veicolo connessa. Dopo aver caricato la batteria e una volta portato il programma di carica in modalità di carica di mantenimento a lungo termine (per mantenere la batteria carica al 100%), si stima che il consumo energetico totale sarà pari o inferiore a 0,060 kWh al giorno.

Le indicazioni LED di seguito riportate ed i relativi testi appaiono nell'ordine di sequenza logica del programma.



**LED #1 - Accensione.** Questo LED conferma l'alimentazione CA al caricabatterie. L'intensità della luce è bassa durante la MODALITÀ DI RISPARMIO ENERGETICO.

**LED #2** Indica la polarità inversa, collegamenti errati. Correggere per attivare l'uscita.

#### LED #3 - CARICA

**3.1 Recupero AD IMPULSI** - viene consegnata corrente AD IMPULSI da 0,8 A max. per preparare la batteria con basse tensioni a sopportare una carica normale. Questa modalità è particolarmente efficace per il recupero di batterie AGM cicliche o al piombo puro ad alte prestazioni / attivate in fabbrica.

Tempo di carica: minimo 15 minuti, massimo 2 ore.

**3.2 CARICA PRINCIPALE:** La fase di CARICA PRINCIPALE eroga una corrente costante di circa 0,8Ampère max. nella batteria, fino a una tensione di 14,2 - 14,5 V.

**3.3 CARICA DE OTTIMIZZAZIONE** - questo modo inizia quando la tensione raggiunge 14,2 - 14,5 V per la prima volta durante la fase di CARICA PRINCIPALE. Il circuito di controllo di corrente trasmette impulsi di corrente per 30 minuti per equalizzare le celle individuali all'interno della batteria. Il livello di carica della batteria è verificato. Se la batteria richiede un ulteriore caricamento, il programma estenderà il modo OTTIMIZZAZIONE a un massimo di 4 ore.

**NOTA:** per motivi di sicurezza, il limite di tempo di carica totale è di 96 ore.

**LED #4 - Il programma di mantenimento avanzato OptiMate - I test di ritenzione della tensione si alternano ogni mezz'ora con il periodo di mantenimento della batteria.**

**4.1 TEST:** Per una buona batteria in grado di rimanere sopra i 12,4 V per tutto il test della durata di **30 minuti\*** (NESSUNA CORRENTE DI CARICA), il LED #4 rimane acceso. Se il voltaggio della batteria scende sotto i 12,4 V durante il test, il programma torna alla fase 3.

**\* PRIMO TEST = 12 ORE.** Se l'erogazione della carica è durata meno di 12 ore, il test si protrae finché non sono trascorse 24 ore.

*Se i LED #3 e #4 si alternano ogni 3-10 secondi, indicano che dopo la carica la tensione della batteria non viene mantenuta o che malgrado i tentativi di recupero la batteria era irrecuperabile. Ciò può essere dovuto ad un difetto della batteria quale: una cella in cortocircuito o una eccessiva sovraccarica. Nel caso di una batteria ancora collegata al veicolo, potrebbe essere un segnale di perdita di corrente può segnalare una perdita di corrente tramite un circuito deteriorato, un carico che rimane collegato, o la presenza di accessori che assorbono troppa corrente. Rimuovere quindi la batteria dal veicolo e ricollegarla all'OptiMate™ per permettere che effettui un nuovo ciclo di carica. Se il risultato scarso persiste, si consiglia di portare la batteria a un'officina di assistenza dotata di apparecchiature professionali per un'indagine più approfondita.*

**4.2 Mantenimento / carica "galleggiante"** ad un limite di tensione sicura di 13,6 V e fino a 0,8A è disponibile per contenere l'autoscarica. La batteria può assorbire la corrente sufficiente per contenere la propria autoscarica, e, se montata sul veicolo, per sostenere i carichi ad essa collegati.

**Mantenimento di una batteria per periodi prolungati:** L'OptiMate manterrà una batteria di cui lo stato di base è buono, senza rischio durante parecchi mesi. Verificare almeno ogni due settimane che i collegamenti fra il caricatore e la batteria siano sicuri e, nel caso di batterie con tappi di riempimento per ogni cella, scollegare la batteria dal caricatore, controllare il livello dell'elettrolite, e se necessario rimboccare (**con acqua distillata, NON acido**), quindi ricollegare. Nel manipolare le batterie o in vicinanza di esse, rispettare sempre le AVVERTENZE DI SICUREZZA sopra riportate.

**Tempo di carica:** Il tempo richiesto dal OptiMate™2 per completare la carica di una batteria non particolarmente scarica è uguale alla capacità di amperora (Ah) della batteria. Così, per una batteria di 10Ah dovrebbero occorrere circa 10 ore per giungere alla fase 4. Le batterie estremamente scariche possono invece necessitare di un tempo significativamente più lungo.

---

## GARANZIA LIMITATA

TecMate (International) S.A., Sint-Truidensesteenweg 252, B-3300 Tienen, Belgio riconosce questa garanzia limitata agli acquirenti originali al dettaglio di questo strumento. Questa garanzia limitata non è trasferibile. TecMate (International) garantisce il carica per tre anni dalla data di acquisto al dettaglio contro difetti di materiale o di manodopera. Se tali difetti fossero riscontrati lo strumento verrà riparato o sostituito a discrezione dell'Azienda. Sarà obbligo dell'acquirente spedire lo strumento, a proprie spese e cura, con il tagliando di acquisto (vede "NOTA"), al produttore o al distributore autorizzato. Questa garanzia limitata è nulla se il prodotto è maltrattato o usato male, soggetto ad incuria nel maneggiamento, o riparato da chiunque esclusi il produttore o il distributore autorizzato. Il produttore non riconosce altre garanzie se non questa limitata garanzia ed esclude espressamente ogni implicata garanzia che includa garanzie per conseguenti danneggiamenti.

QUESTA È LA SOLA ED ESPRESSAMENTE LIMITATA GARANZIA E L'AZIENDA PRODUTTRICE NE ASSUME NE AUTORIZZA ALCUNO AD ASSUMERE O FARE ALTRE CONCESSIONI CHE RIGUARDINO IL PRODUTTORE, DIVERSAMENTE DA QUESTA. I VOSTRI DIRITTI STATUTARI NON SONO COMMOVENTI.

NOTA: Vede [www.tecmate.com/warranty](http://www.tecmate.com/warranty) o contattate [warranty@tecmate.com](mailto:warranty@tecmate.com)

Si può trovare più informazione sui prodotti di TecMate da [www.tecmate.com](http://www.tecmate.com).

# Optimate 2

## 12V0.8A

### AUTOMATISK LADDARE MED DIAGNOSFUNKTION FÖR 12 V BLY/SYRA-BATTERIER FRÅN 3Ah - 38Ah.

**ANVÄND INTE MED NiCd-, NiMH-, Li-Ion- ELLER EJ UPPLADDNINGSBARA BATTERIER.**

### **VIKTIGT: LÄS NEDANSTÅENDE ANVISNINGAR INNAN DU BÖRJAR ANVÄNDA LADDAREN**

Den här apparaten ska inte användas av personer (inklusive barn) med nedsatt fysisk, sensorisk eller mental förmåga, eller personer som saknar erfarenhet och kunskap, såvida de inte hålls under uppsikt eller instrueras om hur apparaten används av en person som ansvarar för deras säkerhet. Håll barn under uppsikt för att se till att de inte leker med apparaten.

**SÄKERHETSFÖRESKRIFTER och ANMÄRKNINGAR:** Batterier avger explosiva gaser – undvik öppen låga eller gnistor i närheten av batterier. Koppla från nätströmförsörjningen innan du upprättar eller avbryter likströms- eller batterianslutning. Batterisyra är starkt frätande. Använd skyddskläder och ögonskydd och undvik kontakt. Skölj omedelbart med tvål och vatten vid kontakt av misstag. Kontrollera att batteriets poler inte är lösa. Låt granska batteriet av en fackman om så är fallet. Rengör batteripolerna med en kopparborste om de är korroderade. Rengör dem med en trasa fuktad med rengöringsmedel om det är fett eller smuts på dem. Använd laddaren endast om in- och utgående sladdar och kontaktdon är i gott och oskadat skick. Är den ingående sladden skadad måste den för att undvika skada snarast bytas av tillverkaren, av denne godkänd underhållspersonal eller av behörig verkstad. Skydda laddaren från syra och syraångor och från fukt och fuktiga förhållanden, såväl under bruk som under förvaring. Skada som uppstår på grund av korrosion, oxidering eller inre kortslutning täcks inte av garantin. Undvik förorening genom eller exponering för syra och syraångor genom att hålla laddaren på avstånd från batteriet under laddning. Ställ laddaren på en fast plan yta, men INTE på plast, textil eller läder, om den används vågrätt. Använd de fästhål som finns i botten av omslutningen för att fästa laddaren vid lämplig lodrät yta.

**EXPONERING FÖR VÅTSKOR:** När denna laddare placeras på en plan yta eller väggmonteras är den konstruerad för att förhindra skador på elektroniska styrkretsar på grund av att vätska av misstag spills eller stänks på hölet upifrån. Fel på laddaren på grund av oxidation på det elektroniska styrkortet till följd av att vätska eventuellt trängt in i de elektroniska komponenterna täcks inte av garantin. Exponera aldrig kontaktdon eller kontakter för regn eller snö.

**BATTERIANSLUTNINGAR:** Det finns två utbytbara uppsättningar anslutningar. Med batteriet levereras en uppsättning batteriklämmor för att ladda batteriet utanför fordonet. Med den extra anslutningsuppsättningen följer ögleklämmor av metall för bestående anslutning till batteripolerna och ett återförslutbart vattentätt lock till kontaktdonet som ansluts till laddarens utgångskabel. Denna uppsättning anslutningar gör det möjligt att enkelt och säkert ansluta laddaren och ha batteriet kvar i fordonet. Det återförslutbara vattentäta locket är konstruerat för att skydda kontaktdonet från smuts och fukt när laddaren inte är ansluten. Samråd med en fackman för att få hjälp med att ansluta metallöglorna till batteripolerna. Fäst kontaktdonet med det vattentäta locket så att det inte kan komma i vägen för någon rörlig del i fordonet eller klämmas fast eller skadas av skarpa kanter. Den integrerade säkringen i ögleanslutningen skyddar batteriet mot kortslutning av misstag genom att batteriets positiva och negativa poler kommer i kontakt med varandra. Säkring som har löst ut ska bytas mot motsvarande ny säkring märkt 15 A.

### **ANSLUTA LADDAREN TILL BATTERIET**

1. Koppla ifrån spänningsförsörjningen (växelström) innan du ansluter eller lossar likströms- eller batterianslutningar.
2. När ett batteri laddas i fordonet med batterikabelskor, måste du innan du ansluter, kontrollera att batteriklämmorna kan placeras säkert och att de inte vidrör omkringliggande ledningar, metallrör eller chassiet. Anslut i följande ordning: Anslut först till den batteriklämma som inte är ansluten till chassiet (normalt positiv), anslut sedan den andra batteriklämma (normalt negativ) till chassiet på ett tillräckligt avstånd från batteriet och bränsleledningar. Lossa alltid anslutningarna i motsatt ordningsföljd.
3. När ett batteri ska laddas utanför fordonet med batteriklämmorna måste det placeras i ett utrymme med god ventilation. Anslut laddaren till batteriet: Anslut den RÖDA klämman till PLUS-polen (POS, P eller +) och den SVARTA klämman till MINUS-polen (NEG, N eller -). Kontrollera att anslutningarna sitter korrekt och säkert. God kontakt är viktigt.
4. Om batteriet är djupurladdat (och eventuellt sulfaterat) måste det demonteras ur fordonet och kontrolleras, innan det ansluts till laddaren för återhämtning. Kontrollera batteriet visuellt för att upptäcka mekaniska defekter som utbuktningar eller sprickor samt tecken på elektrolytläckor. Om batteriet har påfyllningslock och man kan se plattorna i cellerna utifrån måste batteriet undersökas nogga för att avgöra om någon cell verkar anorlundad än de andra (t.ex. vitt material mellan plattorna, plattorna rör vid varandra). Ladda inte batteriet om det är mekaniskt skadat. Låt en fackhandlare kontrollera det.
5. Om batteriet är nytt: Läs batteritillverkarens instruktioner om säkerhet och drift nogga innan laddaren ansluts till batteriet. Läs och följ instruktionerna för påfyllning av syra (om tillämpligt).

SV

## ANVÄNDA OPTIMATE 2: GÅ VIDARE TILL LADDNING

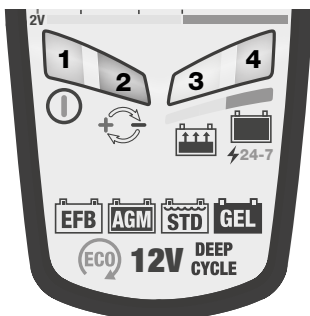
Av säkerhetsskäl aktiveras utmatningen från OptiMate bara om ett batteri som har kvar minst 2 V ansluts.

**MYCKET URLADDADA MISSKÖTTA BATTERIER:** Var särskilt uppmärksam på nedanstående. detta är särskilt viktigt för relativt små batterier, som de som används till motorcyklar, åkklippare, vattenskotrar, snöskotrar och liknande: Ett batteri som får stå mycket urladdat under längre tid kan få bestående skador på en eller flera celler. Sådana batterier kan bli överhettade under laddning med höga spänningar. Avbryt laddningen av batteriet omedelbart om det blir för varmt för att kunna beröras.

Övervaka batteriets temperatur under den första timmen och därefter varje timme. Var uppmärksam på om något ovanligt förekommer, som bubblande eller läckande elektrolyt, högre aktivitet i en cell än i andra eller väsende ljud. LADDAREN SKA OMEDELBART KOPPLAS IFRÅN OM BATTERIET blir för varmt för att beröra eller om du ser tecken på något onormalt.

**STRÖMSPARLÄGE NÄR LADDAREN ÄR ANSLUTEN TILL VÄXELSTRÖMSFÖRSÖRJNING:** Strömomvandlaren stängs av/kopplas över till ECO-läge när laddaren inte är ansluten till ett batteri vilket ger en förbrukning på mindre än 0,5W vilket motsvarar en effektförbrukning på 0,012 kWh per dag. När ett batteri ansluts till laddaren, beror effektförbrukningen på erforderlig effekt för batteriet och det anslutna fordonet eller de elektroniska kretsarna. När batteriet har laddats och laddningsprogrammet aktiverar läget för långfristig underhållsladdning (så att batteriet laddas till 100 %), uppgår den totala effektförbrukningen till ca 0,060 kWh eller lägre per dag.

Med hänvisning till LED indikeringarna nedan och relaterade klausuler. Dessa kommer i den ordning som programmet anger.



**LYSDIOD #1 - Ström på.** Denna lysdiod bekräftar AC-strömförsörjning till laddaren.

Ljusintensiteten är låg vid ENERGISPARLÄGE.

**LYSDIOD #2 - Indikerar omvänd polaritet - fel utgång anslutna.** Byt plats för att aktivera utmatningen.

**LYSDIOD #3 - Laddning**

**3.1 PULS-återställning för batterier med låg spänning** - Ström upp till 0,8 A levereras i puls för att förbereda batteriet för att kunna ta normal laddning. *Det här läget är speciellt effektivt för återställning av fabriksaktiverade/hög prestanda-batterier av bly eller cykliska cell AGM-batterier.*  
**Laddningstid:** Minst 15 minuter, högst 2 timmar.

**3.2 BULKLADDNING:** Steget BULKLADDNING levererar en konstant ström på ungefär 0,8A maximum till batteriet, upp till en spänning på 14,2 - 14,5 V.

**3.3 OPTIMIZE-laddning** - Läget OPTIMIZE CHARGE (Optimera laddning) startar när spänningen når 14,2 - 14,5 V första gången under BULKLADDNING-fasen. Programmet skickar nu strömpulsar i 30 minuter för att spänningsutjämna de enskilda battericellerna. Batteriets laddningsnivå kontrolleras. Om batteriet kräver mer laddning förlängs OPTIMIZE-laddningen upp till de maximala 4 timmarna.

**OBS 2:** Av säkerhetsskäl finns det en övre laddningsgräns på 96 timmar.

**LYSDIOD #4 - OptiMate-underhållsprogrammet - Spänningstest en gång i halvtimmen vid batteriunderhåll**

**4.1 SPÄNNINGSGRADTEST** - LED #4 lyser för ett bra batteri som ska kunna hålla över 12,4 V under ett test på **30 minuter** \* - INGEN LADDNINGSTRÖM. Om batterspänningen faller under 12,4 V under testet återgår programmet till steg 3.3.

\* Första testet = 12 timmar. Om laddningen tar mindre än 12 timmar förlängs testet tills 24 timmar har flötit.

Om LED#3 och #4 blinkar med 23-10 sekunders intervall den indikerar att batteriet inte kan hålla spänningen efter att det laddats, eller att det inte gick att återställa batteriet trots flera försök. Detta kan bero på en defekt i själva batteriet, till exempel en kortsluten cell eller total sulfatering eller också, om batteriet fortfarande är inkopplat i fordonets elsystem, det kan signalera en förlust av ström på grund av slitna ledningar eller en skadad strömbrytare eller kontakt respektive tillbehör i elsystemet som förbrukar ström. Ta alltid bort batteriet från fordonet, anslut OptiMate™ igen och låt den arbeta igenom sitt program en gång till. Består det dåliga resultatet rekommenderar vi att du lämnar in batteriet för närmare granskning på en serviceverkstad som har tillgång till professionell utrustning.

**4.2 UNDERHÅLLSLADDNING** - flytande laddning på en säker spänningsgräns på 13,6 V och upp till 0,8A är tillgänglig för att motverka självurladdning. Batteriet kan dra ström vid behov för att stödja mindre laster och för att motverka självurladdning. Om batterspänningen faller under 12,4 V återgår programmet till steg 3.3.

**Underhåll av ett batteri under längre tid:** OptiMate underhåller ett batteri vars grundförutsättning är bra, utan några risker under flera månader. Kontrollera minst varannan vecka att anslutningarna mellan laddare och batteri är säkra och – för batterier med påfyllnadslock till varje cell – koppla loss batteriet från laddaren, kontrollera elektrolytnivån och fyll vid behov på cellerna (**med destillerat vatten, INTE syra**) och anslut det åter. Följ alltid ovanstående säkerhetsföreskrifter vid hantering av batterier och i deras närhet.

**Laddningstid:** Den tid som krävs för OptiMate™2 för att slutföra en laddning av ett urladdat med ett inte väldigt urladdat batteri som i övrigt är oskadat är i grova drag lika med batteriets Ah-klass vilket innebär att ett batteri på 10Ah inte bör kräva mer än 10 timmar för att komma fram till steg 4. Helt urladdade batterier kan kräva avsevärt längre tid.

---

## INSKRÄNKT GARANTI

TecMate (International) NV, Sint-Truidensesteenweg 252, B-3300 Tienen, Belgien, utfärdar denna garanti till den ursprungliga köparen av produkten. Garantin kan inte överlåtas. Denna batteriladdare har av TecMate (International) försetts med en garanti som gäller i tre år från och med det datum den köpts hos en återförsäljare. Garantin omfattar materialfel och tillverkningsfel. Om något av nämnda fel upptäcks kommer enheten att repareras eller bytas ut enligt tillverkarens önskemål. Köparen måste överlämna enheten tillsammans med ett köpebevis (se "NOTERA") och förbetalda transport- eller portokostnader till tillverkaren eller en auktoriserad återförsäljare. Garantin gäller inte om produkten används felaktigt eller vårdslöst. Den gäller heller inte om produkten reparerats av någon annan än tillverkaren eller en auktoriserad återförsäljare. Denna garanti är den enda giltiga och den omfattar inga implicerade garantikrav, inklusive garantikrav för följdskadorna.

DETTA ÄR DEN ENDA GÄLLANDE GARANTIN OCH TILLVERKAREN VARKEN ÅTAR SIG ELLER AUKTORISERAR NÅGON ANNAN ATT ÅTA SIG ELLER UPPRÄTTA NÅGRA SKYLDIGHETER GENTEMOT PRODUKTEN FÖRUTOM DENNA GARANTI. DINA LAGLIGA RÄTTIGHETER PÅVERKAS INTE.

NOTERA: Se [www.tecmate.com/warranty](http://www.tecmate.com/warranty) eller kontakta [warranty@tecmate.com](mailto:warranty@tecmate.com)

Mer information på TecMate produkter kan finnas på [www.tecmate.com](http://www.tecmate.com).

# Optimate 2

## 12V0.8A

### АВТОМАТИЧЕСКОЕ ОБСЛУЖИВАЮЩЕЕ ЗАРЯДНОЕ УСТРОЙСТВО ДЛЯ 12В СВИНЦОВО-КИСЛОТНЫХ АККУМУЛЯТОРНЫХ БАТАРЕЙ ОТ 3 А·Ч ДО 38 А·Ч

**НЕ ИСПОЛЬЗУЙТЕ ДЛЯ NiCd, NiMH, Li-Ion И НЕ ПЕРЕЗАРЯЖАЕМЫХ БАТАРЕЙ.**

#### **ВАЖНО: ПРОЧИТЕ ДАННЫЕ ИНСТРУКЦИИ ПЕРЕД ИСПОЛЬЗОВАНИЕМ ЗАРЯДНОГО УСТРОЙСТВА**

Данный прибор может быть использован детьми с 8 лет и лицами с ограниченными физическими, сенсорными или умственными способностями или с недостаточным опытом и знаниями, только если они находятся под контролем или инструктированием по вопросам использования прибора со стороны лиц, ответственных за их безопасность. Не позволяйте детям играть с прибором, а также проводить обслуживание устройства

**УКАЗАНИЯ И ПРЕДУПРЕЖДЕНИЯ ПО ТЕХНИКЕ БЕЗОПАСНОСТИ:** Батареи выделяют ВЗРЫВООПАСНЫЕ ГАЗЫ! – предотвратите возникновения открытого пламя или искры вблизи батареи. Отключите от сети переменного тока, прежде чем подключить или отключить зарядное устройство от батареи. Аккумуляторная кислота очень агрессивна. Надевайте защитную одежду, очки и не контактируйте с кислотой. При случайном контакте с кислотой, промойте пораженный участок водой с мылом. Проверьте, чтобы батарейные выводы не шатались; если они шатаются, батарея требует профессиональной диагностики. Если выводы батареи корродированы, почистите их медной щеткой; если выводы жирные или грязные очистите их тканью с моющим средством. Используйте зарядное устройство только, если выходные и входные кабели в хорошем, неповрежденном состоянии. Если вводной кабель поврежден, крайне важно его заменить без замедления на заводе изготовителе, у его сервисного агента или в квалифицированной мастерской, для предотвращения возникновения опасной ситуации. Оградите свое зарядное устройство от воздействия кислоты и паров кислоты, от сырости и влажной среды во время хранения и эксплуатации. Повреждения, вызванные коррозией, окислением или внутренним коротким замыканием не покрываются гарантией. Расположите зарядное устройство вдали от батареи во время ее заряда для предотвращения воздействия кислоты или кислотных паров. При использовании в горизонтальном положении расположите зарядное устройство на твердой плоской поверхности, но НЕ на ткани, пластике или коже. Или используйте фиксирующие отверстия в основании зарядного устройства для закрепления вертикальном положении в удобном месте.

**ВОЗДЕЙСТВИЕ ЖИДКОСТЕЙ:** Это зарядное устройство способно выдерживать воздействие жидкостей, случайный пролитых или брызг на корпус сверху, или незначительных осадков. Длительное воздействие дождя и сырости значительно уменьшает срок службы зарядного устройства. Отказ зарядного устройства за счет окисления в результате возможного проникновения жидкости внутрь электронных компонентов и разъемов, не покрывается гарантией.

**ПОДКЛЮЧЕНИЕ К БАТАРЕЕ:** 2 сменных комплекта подключения поставляемых с зарядным устройством представляют собой набор зажимов для заряда батареи вне транспортного средства и кольцевой разъем постоянного подключения к батарее с закрывающимся колпачком, защищающим от атмосферных воздействий, которые подключаются к выходному кабелю зарядного устройства. Этот набор позволяет легко и уверенно подключать зарядное устройство для поддержания батареи в транспортном средстве. Закрывающийся разъем с крышкой предназначен для защиты разъема от грязи и сырости, когда зарядное устройство не используется. Проконсультируйтесь с представителем компании в способе крепления металлических кольцевых разъемов к батарее. Закрепите разъем с колпачком, так чтоб он не мог загрязниться от любой движущейся части транспортного средства, а кабель не мог быть зажат или поврежден острыми краями. Предохранители в наборе предназначены для защиты батареи от случайного короткого замыкания на положительных и отрицательных проводниках. Замените сгоревший предохранитель только аналогичным новым предохранителем 15A.

## ПОДКЛЮЧЕНИЕ ЗАРЯДНОГО УСТРОЙСТВА К БАТАРЕЕ

1. Отключите от сети переменного тока, прежде чем подключать или отключать зарядное устройство от батареи.
2. Если заряд батареи происходит на транспортном средстве с помощью зажимов, перед подключением, проверьте, что зажимы могут быть безопасно и надежно расположены свободно от окружающих проводов, металлических труб или шасси. Выполните подключение в следующем порядке: сначала подключите к батарее положительный красный зажим, а затем отрицательный черный зажим на раму или двигатель вдали от батареи и топливной линии. Всегда отключайте в обратной последовательности.
3. При заряде батареи вне транспортного средства с помощью зажимов, поместите ее в хорошо проветриваемом помещении. Подключите зарядное устройство к батарее: красный зажим к положительному (POS, P или +), а черный зажим к отрицательному (NEG, N или -) выводу. Убедитесь, что соединения являются надежными и безопасными. Хороший контакт важен.
4. Если батарея сильно разряжена (и, возможно, сульфатирована), снимите ее с транспортного средства и проверьте батарею перед подключением зарядного устройства для попытки восстановления. Визуально проверьте состояние аккумуляторной батареи на наличие механических дефектов, таких как выпуклый или треснувший корпус, или признаки утечки электролита. Если аккумулятор имеет заливные крышки и пластины в ячейках, которые можно увидеть со стороны, осторожно изучите батарею, и попытайтесь определить, есть ли ячейки, отличающиеся от других (например, с белым веществом между пластинами или, касающимися пластинами). Если имеются механические дефекты, не пытайтесь зарядить батарею, требуется профессиональная оценка состояния батареи.
5. Если батарея новая, перед подключением зарядного устройства прочтите инструкцию по эксплуатации и безопасности производителя батареи. Если это применимо, тщательно и точно следуйте инструкции по их заполнению кислотой.

## ИСПОЛЬЗОВАНИЕ OPTIMATE 2: НАЧАЛО ЗАРЯДА

По соображениям безопасности, OptiMate активируется, только если батарея сохранила, по крайней мере, 2В.

**ОЧЕНЬ ЗАПУЩЕННЫЕ БАТАРЕИ:** обратите внимание на следующее, что особенно важно для относительно небольших батарей, таких как те которые используются на мотоциклах, газонокосилках, гидроциклах, снегоходах и т.п.: в батареях оставленных глубоко разряженными в течение длительного периода времени, может развиться повреждение в одной или нескольких ячейках. Такие батареи могут чрезмерно нагреваться во время заряда большим током.

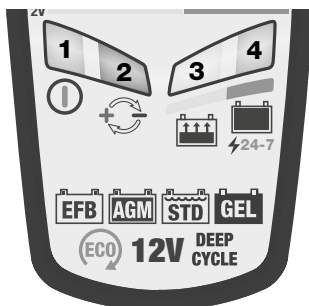
Следите за температурой батареи в течение первого часа, а затем каждый час. Проверьте необычные признаки, такие, как образование пузырей или утечку электролита, повышенная активность в одной ячейке по сравнению с другими, или шипящие звуки. Если в любое время батарея горячая на ощупь или вы заметили какие-либо необычные признаки, **НЕМЕДЛЕННО ОТКЛЮЧИТЕ ЗАРЯДНОЕ УСТРОЙСТВО.**

### **ЕСО РЕЖИМ ЭНЕРГОСБЕРЕЖЕНИЯ В ТО ВРЕМЯ, КОГДА ЗАРЯДНОЕ УСТРОЙСТВО ПОДКЛЮЧЕНО К СЕТИ ПЕРЕМЕННОГО ТОКА:**

Преобразователь питания отключается и переходит в ЕСО режим, когда зарядное устройство не подключено к батарее, что приводит к очень низкому энергопотреблению менее 0,5 Вт, что соответствует потребляемой мощности 0,012 кВт·ч в сутки. Когда батарея подключена к зарядному устройству, потребляемая мощность зависит от текущего спроса батареи и ею связанного транспортного средства / электронных схем. После того, как батарея была заряжена и зарядное устройство находится в режиме долгосрочного поддержания заряда (хранение батареи в состоянии 100% заряда) общее потребление электроэнергии оценивается в 0,060 кВт·ч или меньше в день.

**Светодиодные индикаторы, о которых говорится ниже, являются последовательными, поскольку они могут появиться ходу выполнения программы заряда.**

**RU**



1. **СВЕТОДИОД LED # 1** – Питание ВКЛ. AC питание доставляется к зарядному устройству. Интенсивность свечения светодиода ниже в режиме энергосбережения.
2. **СВЕТОДИОД LED # 2** - батарея подключена неправильно - обратная полярность. Поменяйте зажимы местами.

### 3. СВЕТОДИОД LED # 3 - ЗАРЯДКА

- 3.1 **ИМПУЛЬСНОЕ ВОССТАНОВЛЕНИЕ** (от 2В): Ток подается импульсами до 0.8А для подготовки батареи к принятию объемного заряда. Этот режим эффективен для восстановления батарей, активированных на заводе / батарей из чистого свинца или AGM батарей. Время зарядки: минимум 15 минут, максимум 2 часа.
- 3.2 **ОБЪЕМНЫЙ ЗАРЯД**: Объемный заряд заряжает батарею постоянным током 0,8А до 14,2 – 14,5В.
- 3.3 **ОПТИМИЗАЦИЯ**: режим оптимизации батареи начнется тогда, когда напряжение достигло 14.2-14.5В во время объемного заряда. Зарядное устройство генерирует импульсы тока в течение 30 минут для выравнивания напряжения в ячейках батареи. Проверяется уровень зарядки батареи, в случае необходимости оптимизация может быть продлена до 4 часов.

**ПРИМЕЧАНИЕ:** в целях безопасности общее время зарядки ограничено 96 часами.

### 4. СВЕТОДИОД LED #4: ОБСЛУЖИВАНИЕ – Тест на удержание заряда батарей каждые 30 минут чередуются с обслуживающим зарядом.

- 4.1 Тест на удержание заряда – для батарей, которые сохранили 12.4В и выше в течение 30 минут\* (нет тока зарядки) – светодиод led #4 будет продолжать гореть. Если напряжение батареи снизилось ниже 12.4В, зарядное устройство вернется к шагу 3.3

\*первый тест длится 12 часов, или, если зарядка батареи происходила менее 12 часов, тест продлится пока не истекнут 24 часа с момента начала зарядки. Последующие тесты будут длиться 30 минут.

Если светодиод Led #3 и #4 мигают каждые 3-10 секунд, это означает, что несмотря на зарядку и попытку восстановления батареи, напряжение батареи не может быть стабилизировано. Это может быть связано с дефектом в самой батарее, таким как короткое замыкание ячейки или полной сульфатации, или в случае, когда батарея все еще подключена к электрической системе, которую она поддерживает, красный светодиод LED # 8 может быть сигнализацией утечки тока через ухудшение состояния проводки или контакта, или наличия в цепи аксессуаров. Внезапная нагрузка, такая как случайно включенные фары, при подключенном зарядном устройстве также могут вызвать значительное снижение напряжения батареи. Переподключите зарядное устройство к батарее, отключив всю нагрузку. Если результат улучшился, то плохой результат, возможно, был вызван утечкой тока в электрической цепи. Если плохой результат сохранился, то рекомендуем обратиться в специализированный сервисный центр для диагностики батареи.

- 4.2 **Обслуживающий заряд** – плавающий заряд при безопасном напряжении 13.6В и током до 0.8А для предотвращения саморазряда. Батарея может потреблять ток для компенсации небольших утечек и саморазряда. Если напряжение батареи снизится ниже 12.4В зарядное устройство вернется к шагу 3.3



**ПОДДЕРЖАНИЕ БАТАРЕЙ В ТЕЧЕНИЕ ДЛИТЕЛЬНОГО ВРЕМЕНИ:** OptiMate будет поддерживать батарею, чье состояние должно быть хорошим, в течение нескольких месяцев. По крайней мере, раз в две недели, убедитесь, в безопасности подключения между зарядным устройством и батареей и, в случае батарей с колпачками, отсоедините батарею от зарядного устройства, проверьте уровень электролита и при необходимости долейте воду в ячейки (**дистиллированную воду, а не кислоту**). При обращении с батареями или в их близи, всегда соблюдайте меры предосторожности, описанные выше.

**Время заряда:** Время заряда запущенных, но в остальном неповрежденных батарей составляет примерно равное А·ч емкости батареи, так для 10Ач батареи необходимое время заряда около 10 часов, чтобы перейти к проверке саморазряда шаг 4). Для глубоко разряженных батарей может потребоваться значительно больше времени.

---

## ОГРАНИЧЕННАЯ ГАРАНТИЯ

TecMate (International) SA, Ambachtenlaan 6, B-3300 Tienen, Бельгия, предоставляет ограниченную гарантию первоначальному розничному покупателю этого продукта. Данная ограниченная гарантия не подлежит передаче другому лицу. TecMate(International) гарантирует качество изготовления данного зарядного устройства в течение трех лет с момента покупки в розничной сети в отношении дефектов материала или изготовления. В случае возникновения дефекта устройство будет отремонтировано или заменено по усмотрению производителя. Покупатель должен направить устройство вместе с доказательством покупки, перевозки, а также оплатить почтовые расходы в адрес производителя или его уполномоченного представителя. Настоящая гарантия недействительна, если продукт неправильно эксплуатировался, подвергался неосторожному обращению или ремонтировался в местах, отличных от завода изготовителя или его уполномоченного представителя. Производитель не дает никаких гарантий, кроме этой ограниченной гарантии и определенно исключает любые подразумеваемые гарантии, включая любые гарантии за косвенные убытки.

ЭТА ОГРАНИЧЕННАЯ ГАРАНТИЯ ПРОИЗВОДИТЕЛЯ НЕ ПРИНИМАЕТ НА СЕБЯ И НЕ УПОЛНОМОЧИВАЕТ НИКОГО ПРИНИМАТЬ ЛЮБЫЕ ДРУГИЕ ОБЯЗАТЕЛЬСТВА ПО ОТНОШЕНИЮ К ПРОДУКТАМ, КРОМЕ ЭТОЙ ОГРАНИЧЕННОЙ ГАРАНТИИ.

ВАШИ ЗАКОННЫЕ ПРАВА НЕ ЗАТРАГИВАЮТСЯ.

ПРИМЕЧАНИЕ: Подробности на [www.tecmate.com](http://www.tecmate.com) / warranty или свяжитесь по [warranty@tecmate.com](mailto:warranty@tecmate.com)





EN

FR

ES

PT

DE

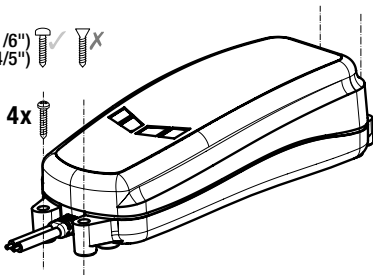
NL

IT

SV

RU

Ø4.5mm (1/6") ✓ X  
L ≥ 20mm (≥ 4/5")



2m (6ft) max.



2m (6ft) + ⌀ 3 (1,8m (5ft)) = 3,8m (12ft) max.

+ ⌀ 13 / ⌀ 23 (4,6m (15ft)) = 6,6m (21ft) max.

⌀ 3 / ⌀ 13 / ⌀ 23

